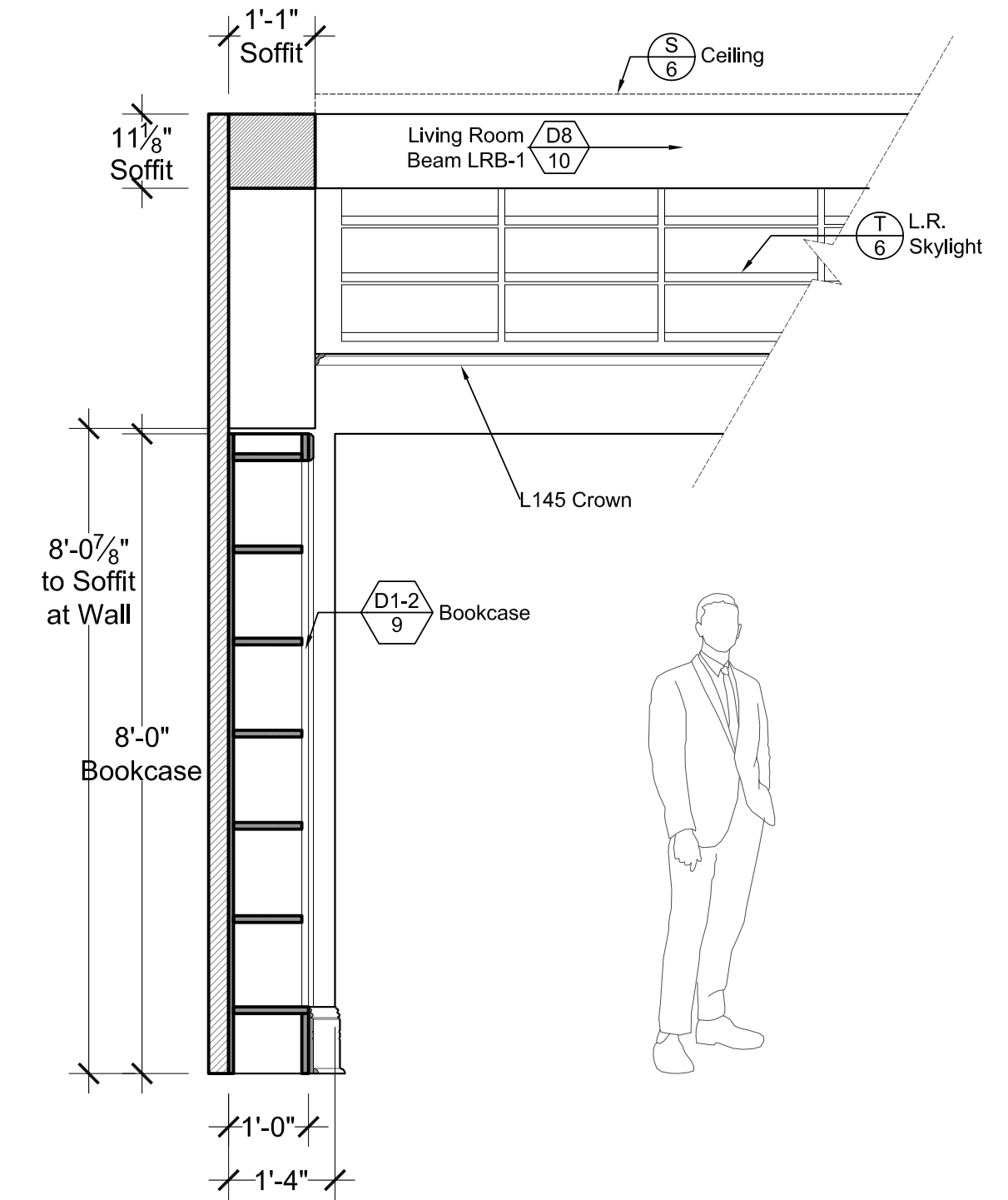
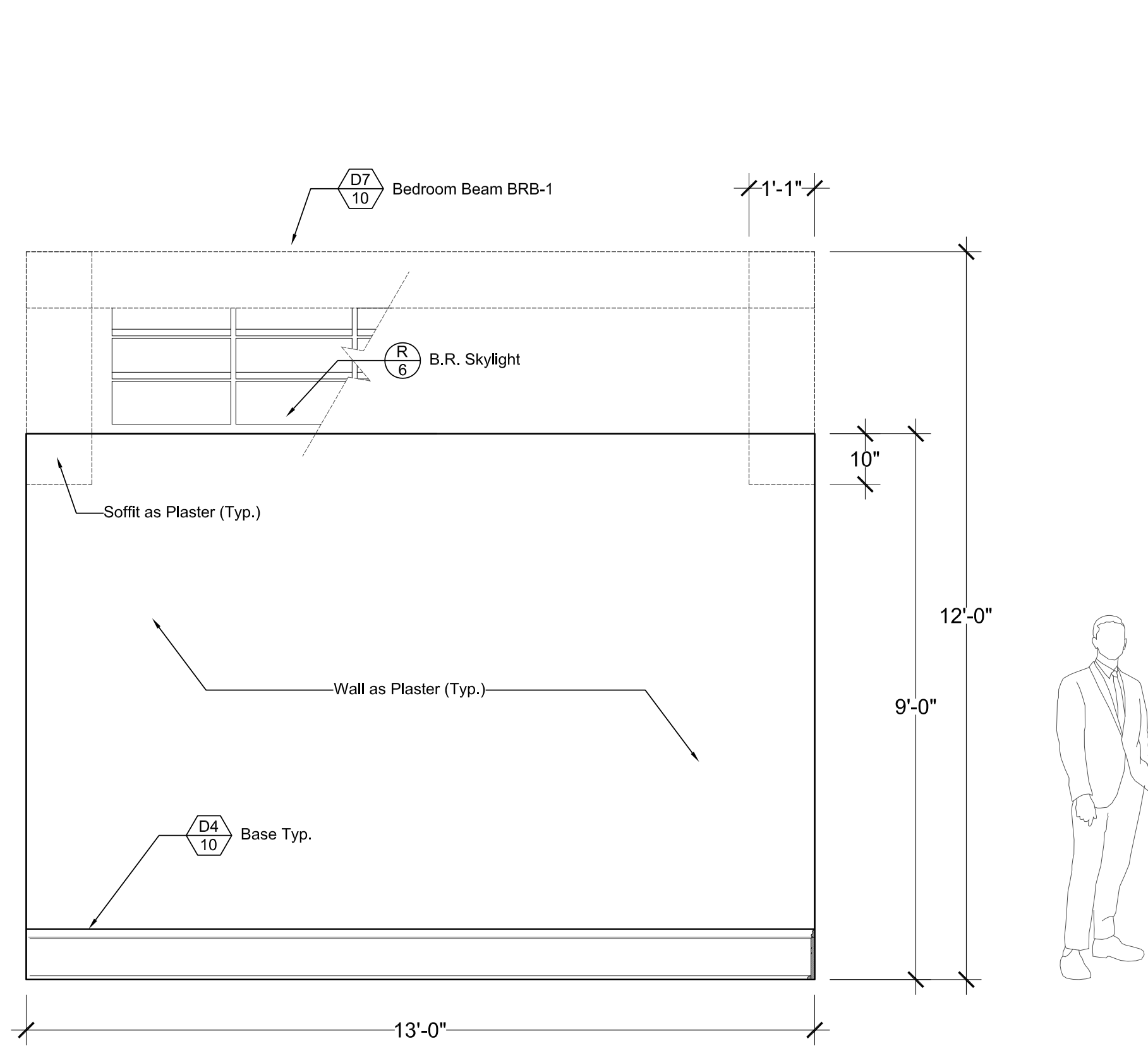


ENTRY HALL / LIVING ROOM / BEDROOM WALL "A" FRONT VIEW

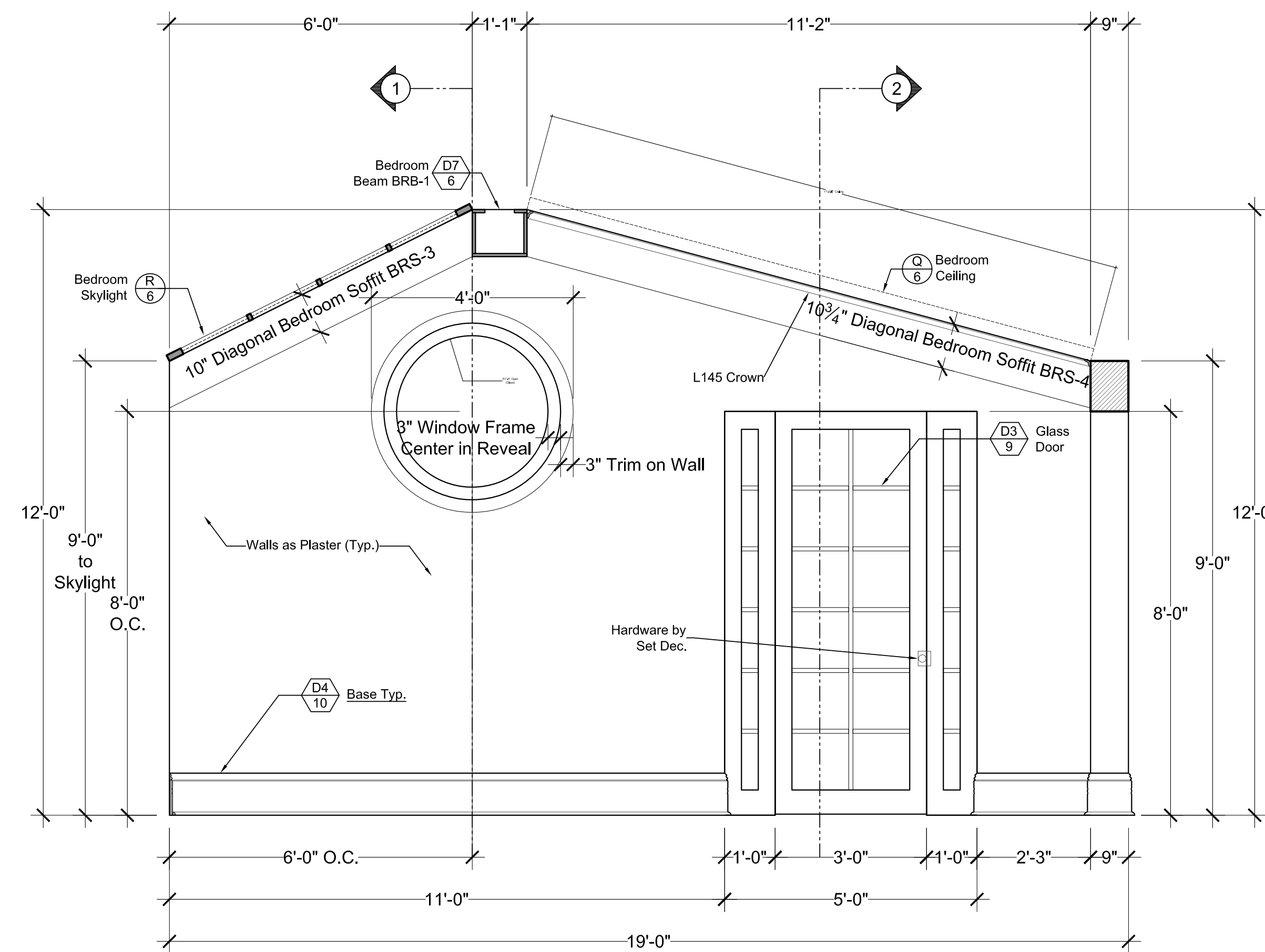


SECTION A-1

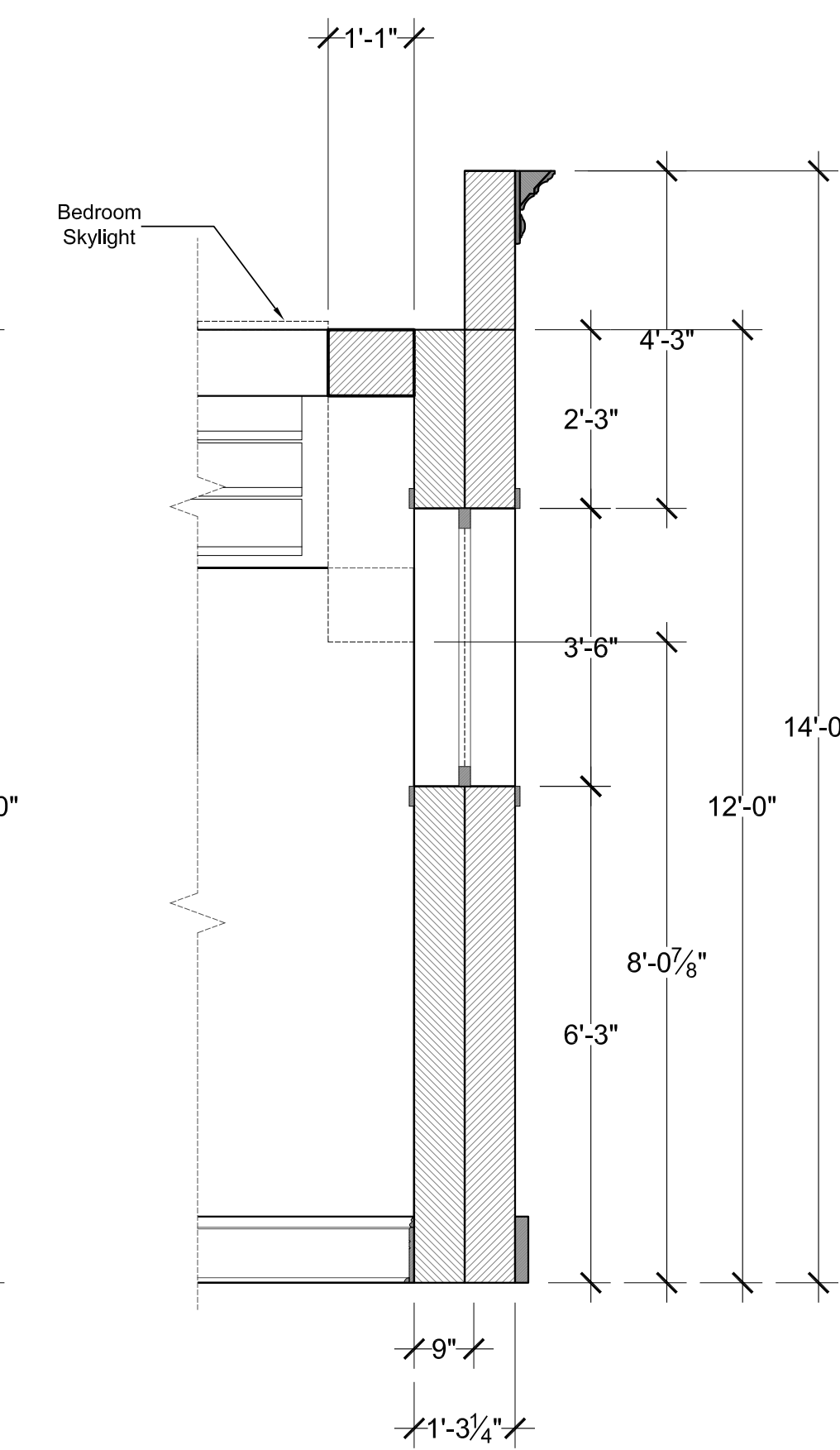
A ROOFTOP STUDIO APARTMENT ELEVATIONS
SCALE: 1/2" = 1'-0"



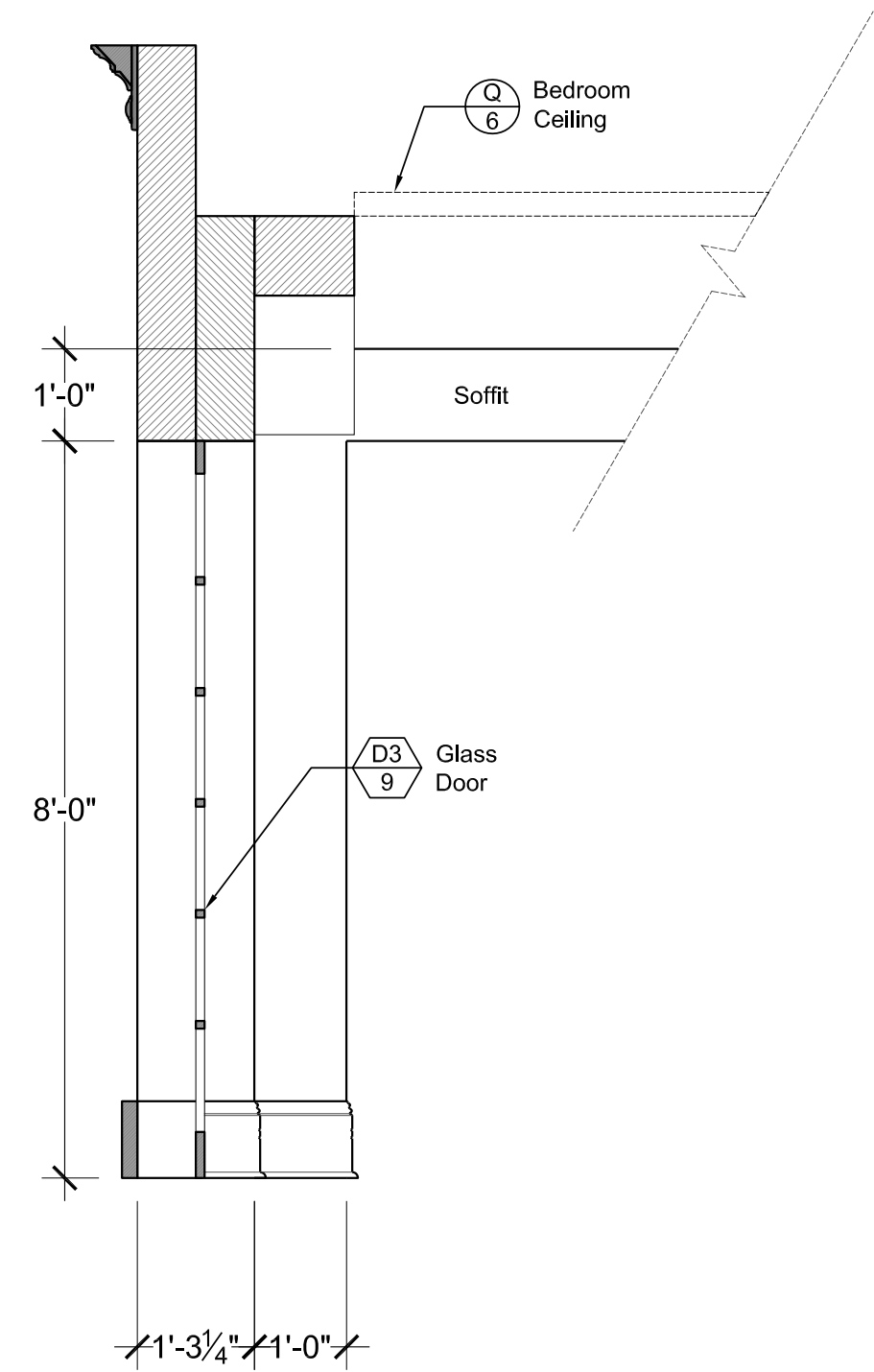
BEDROOM WALL "B" FRONT VIEW



BEDROOM WALL "C" FRONT VIEW



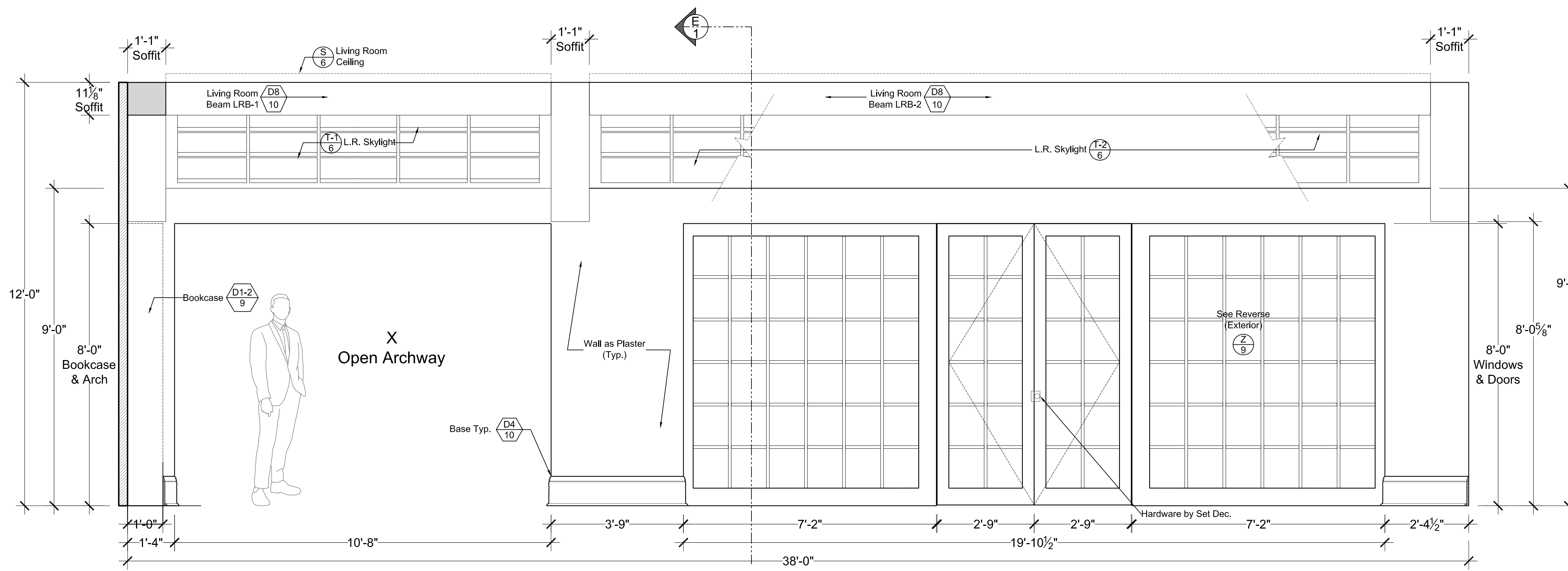
SECTION C-1



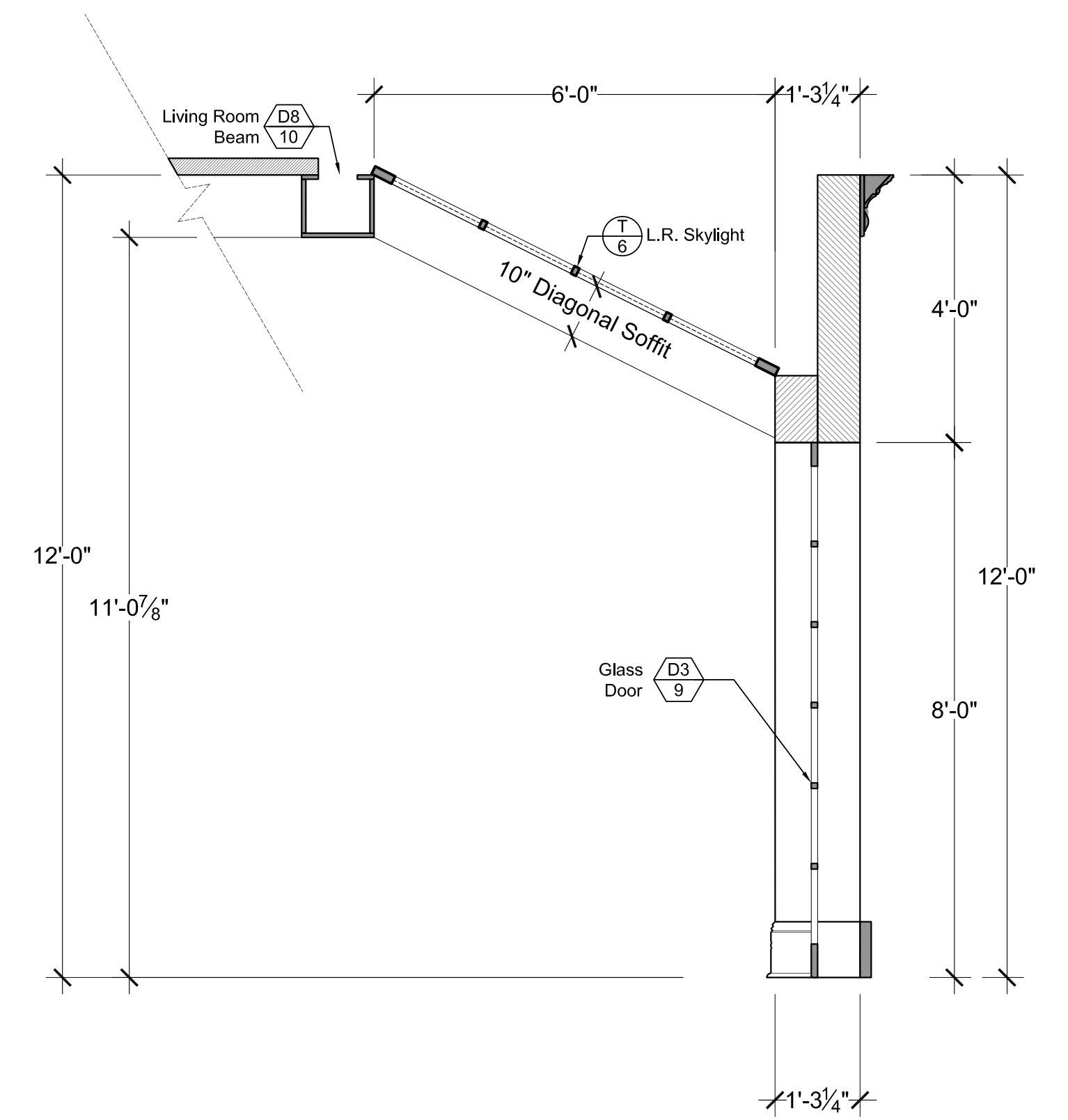
SECTION C-2

B ROOFTOP STUDIO APARTMENT ELEVATIONS
SCALE: 1/2" = 1'-0"

C ROOFTOP STUDIO APARTMENT ELEVATIONS
SCALE: 1/2" = 1'-0"

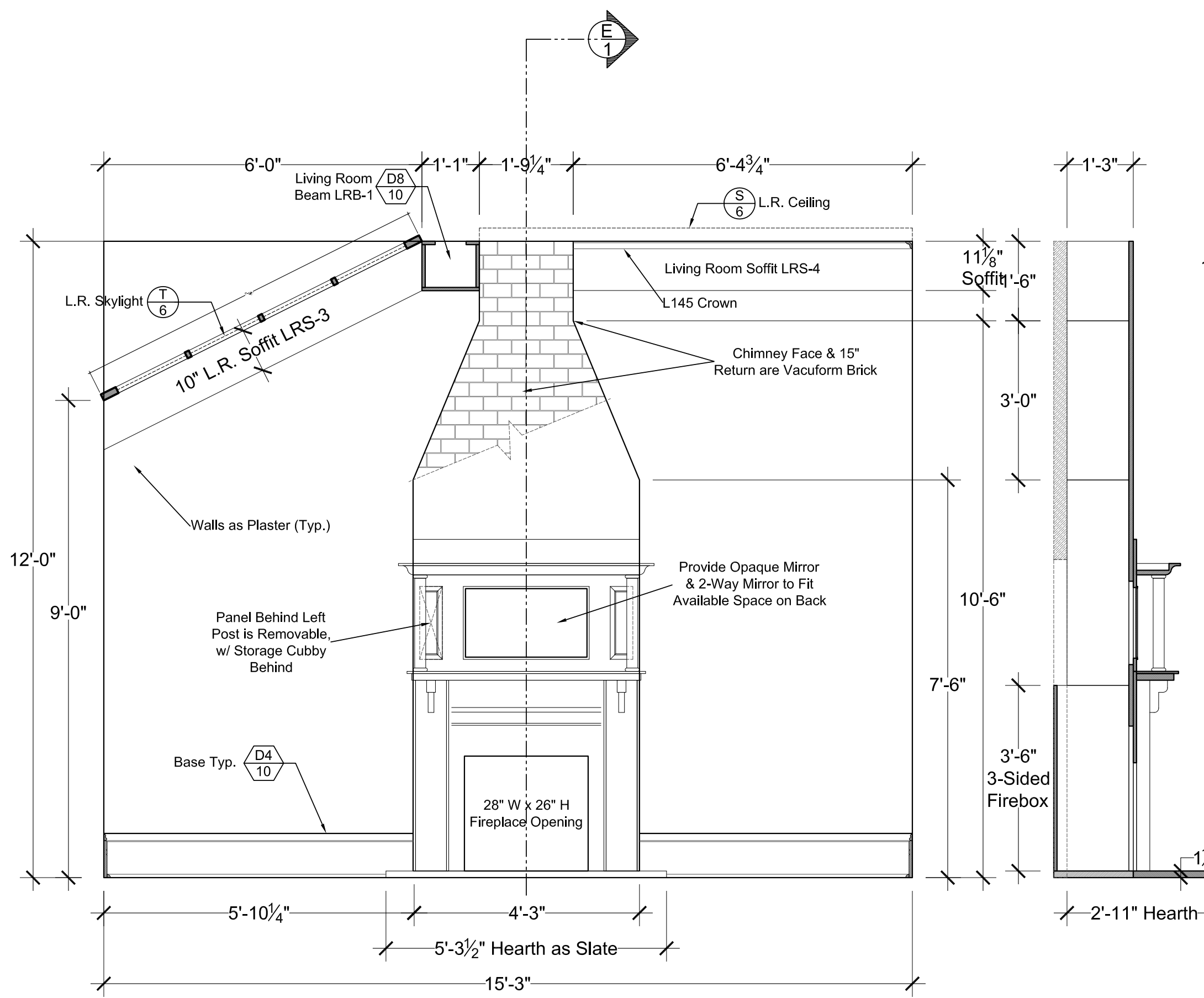


LIVING ROOM ARCH / TERRACE WINDOWS & DOORS WALL "D" FRONT VIEW



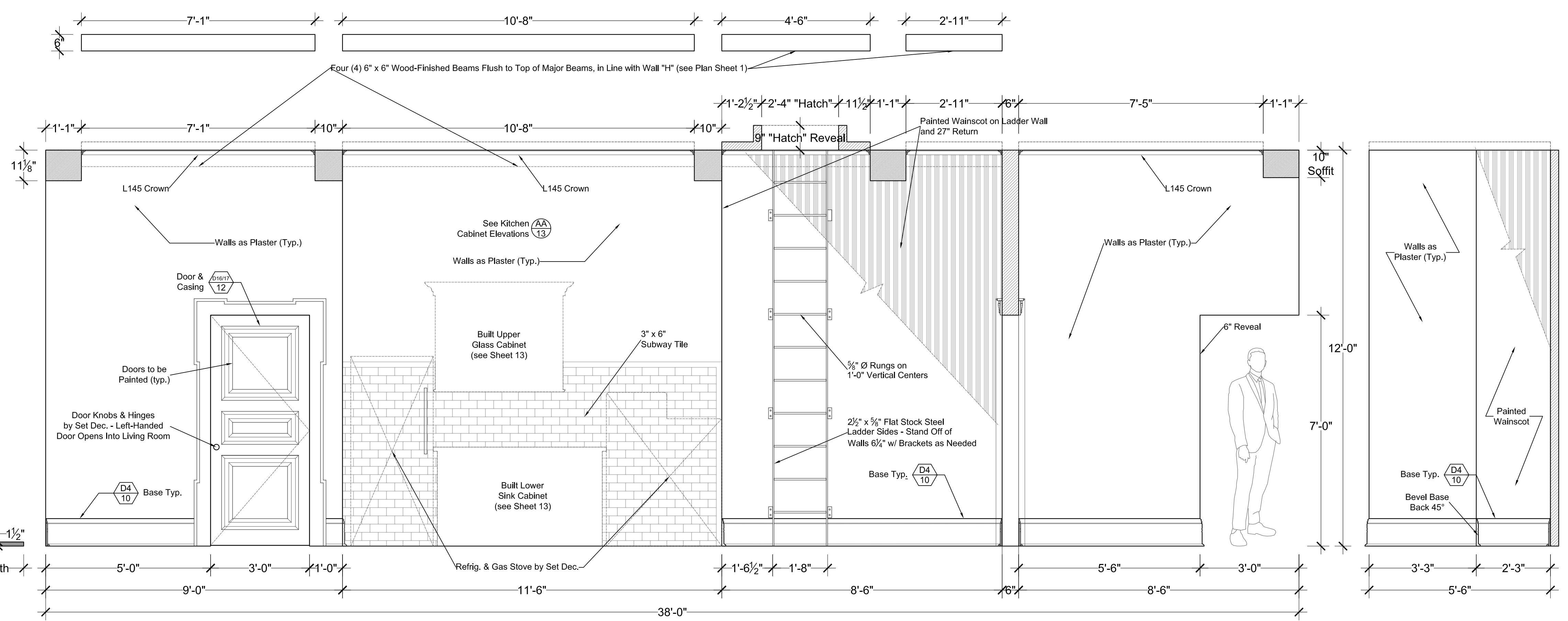
SECTION D-1

D ROOFTOP STUDIO APARTMENT ELEVATIONS
SCALE: 1/2" = 1'-0"



LIVING ROOM FIREPLACE WALL "E" FRONT VIEW

SECTION E-1

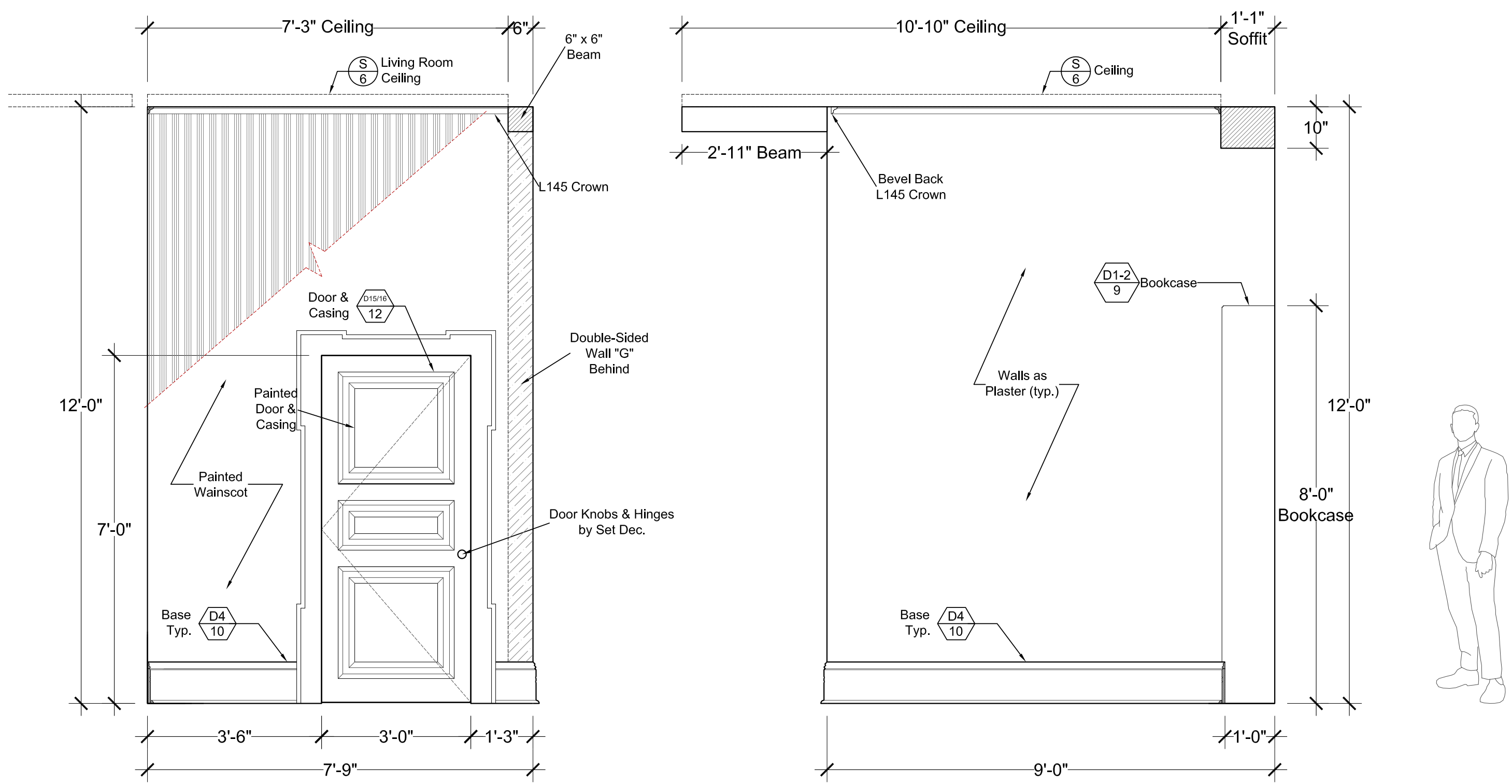


LIVING ROOM FIREPLACE WALL "F" FRONT VIEW

"F" SIDE VIEW

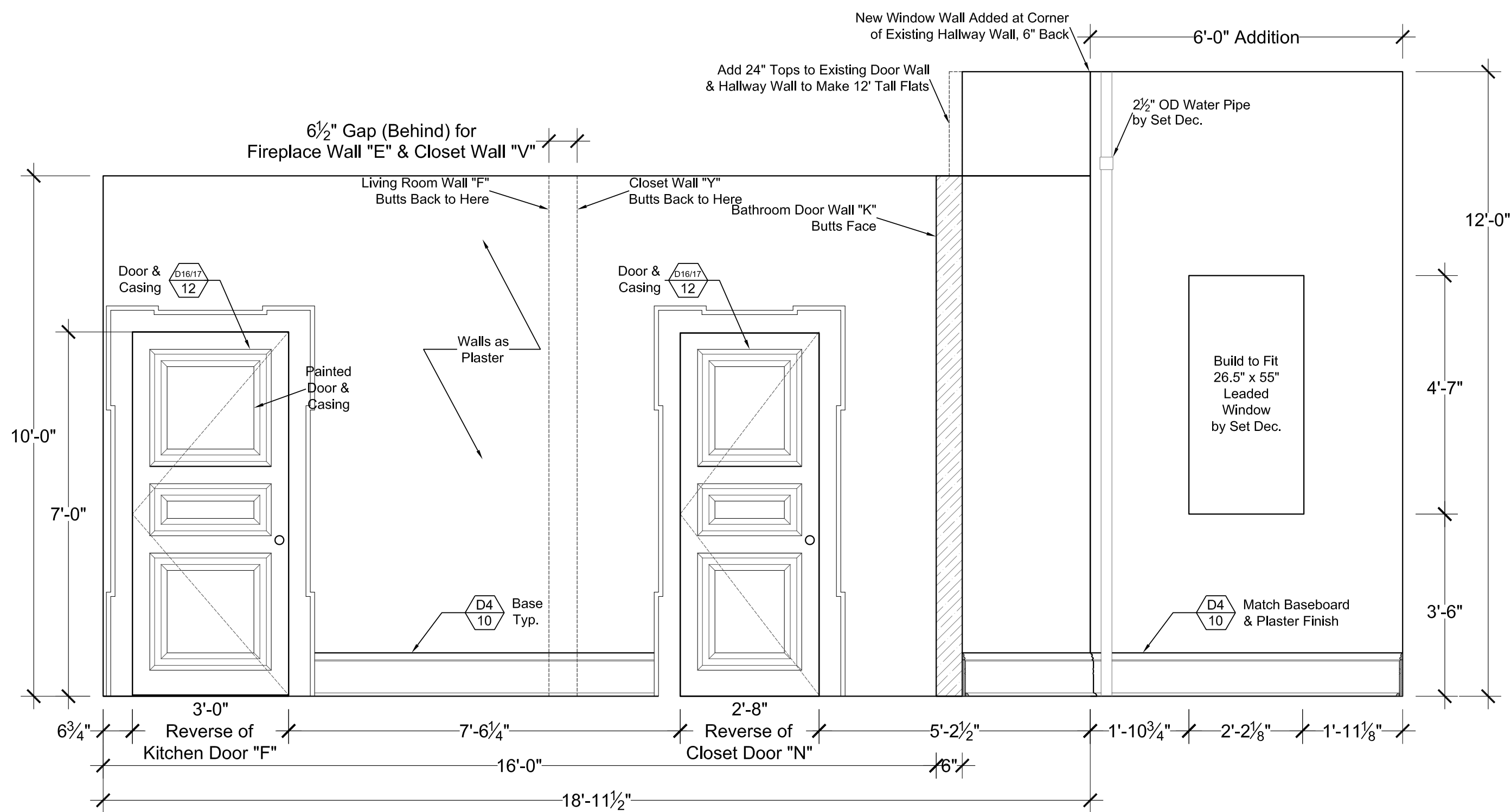
E ROOFTOP STUDIO APARTMENT ELEVATIONS
SCALE: 1/2" = 1'-0"

F ROOFTOP STUDIO APARTMENT ELEVATIONS
SCALE: 1/2" = 1'-0"



ENTRY DOOR WALL "G" FRONT VIEW

LIVING ROOM RETURN "H" FRONT VIEW



BATHROOM HALL DOOR WALL FRONT VIEW

BATHROOM ADDITION

G ROOFTOP STUDIO APARTMENT ELEV.
SCALE: 1/2" = 1'-0"

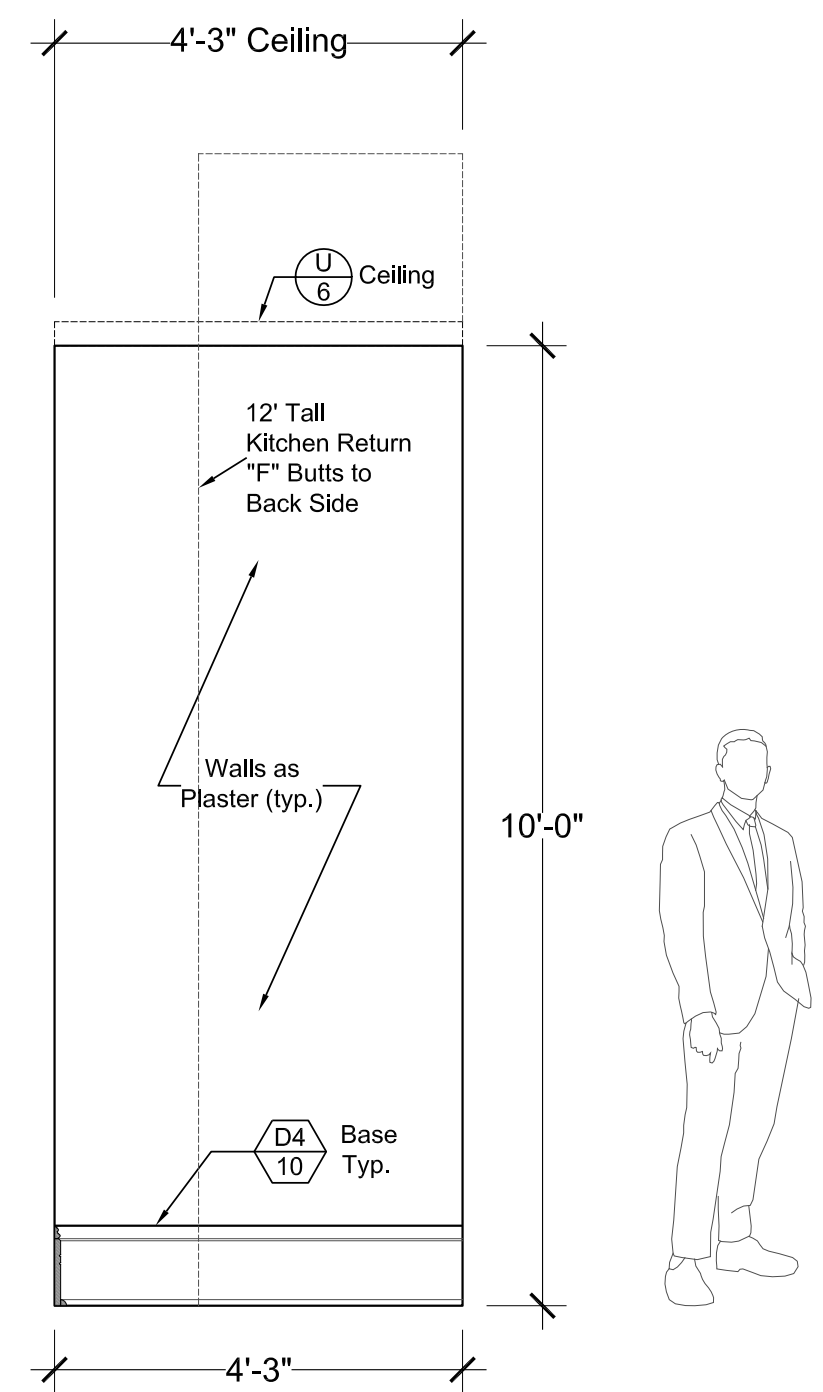
* Wall is Double-Sided - Finish Reverse as "Stair Entry" (Wallpaper) - Right-Handed Door Opens Into Apartment

H ROOFTOP STUDIO APARTMENT ELEV.
SCALE: 1/2" = 1'-0"

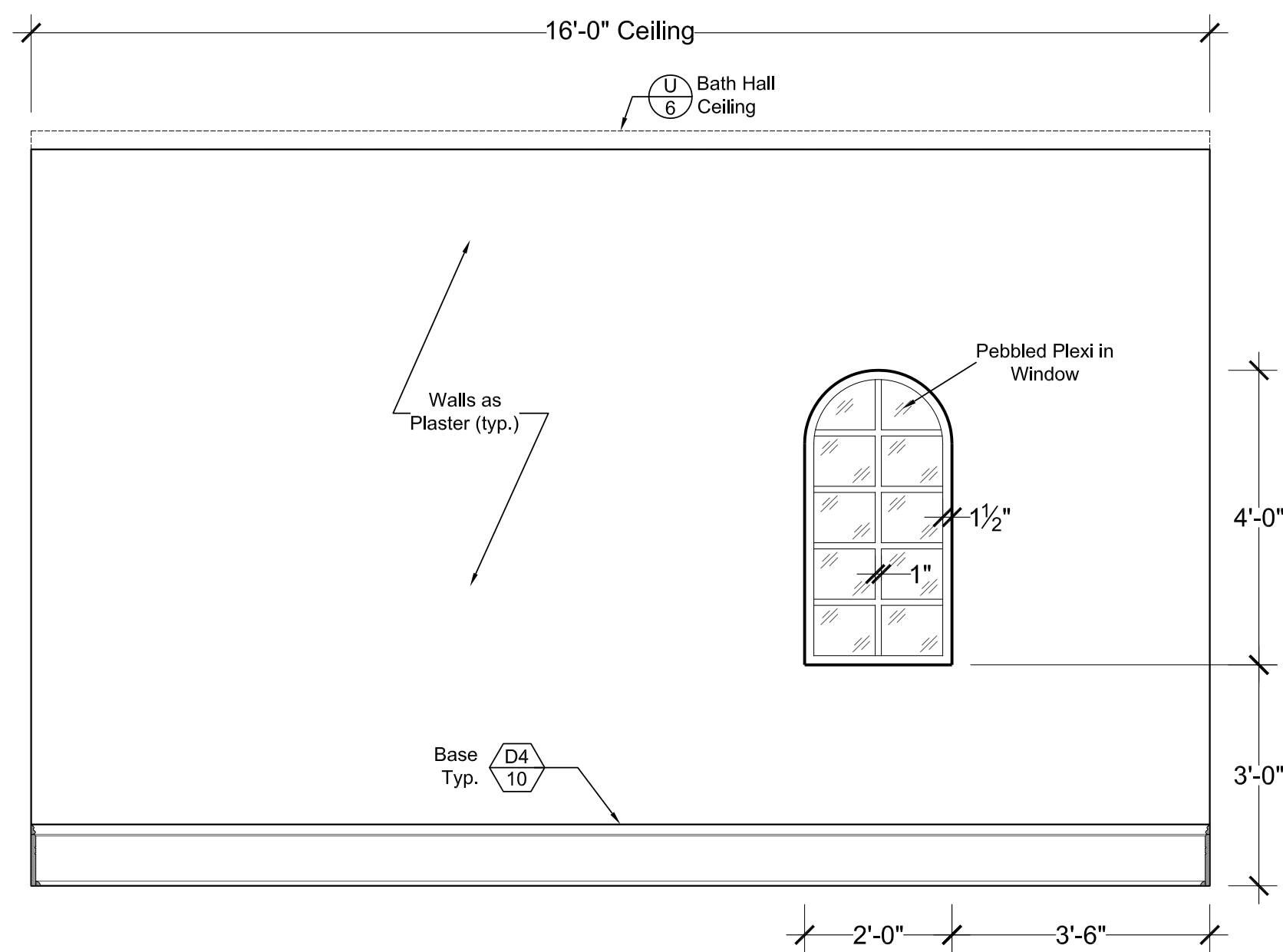
* Wall is Double-Sided - Finish Reverse as "Stair Entry" (Wallpaper)

L ROOFTOP STUDIO APARTMENT ELEV.
SCALE: 1/2" = 1'-0"

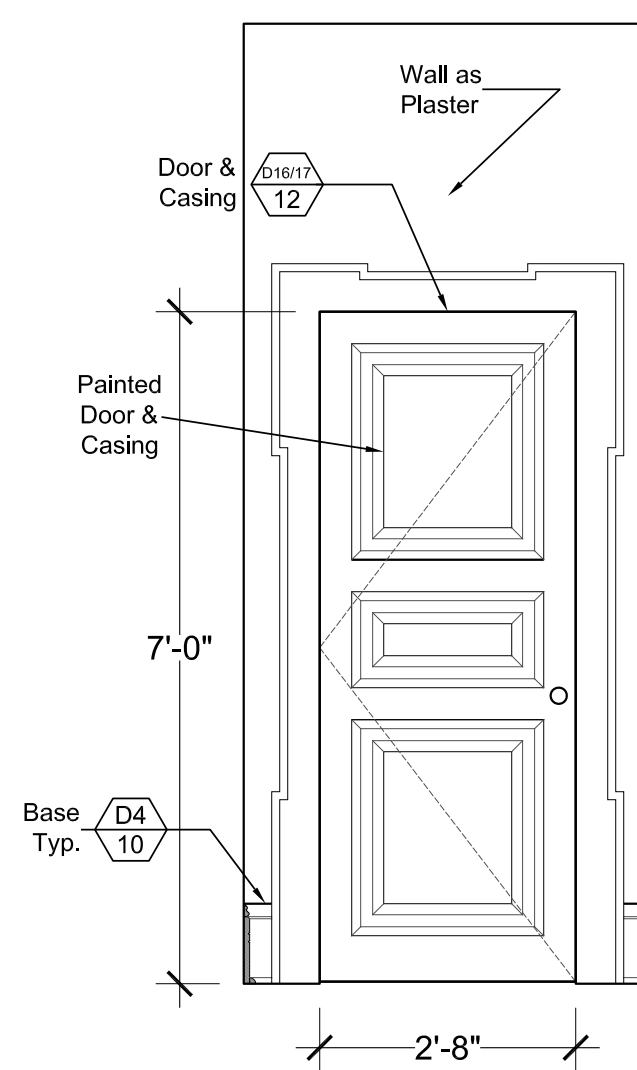
* Both Doors Left-Handed, Opening Out of Bathroom Hallway - Wider (Left) Door is Reverse of Living Room Door "F"



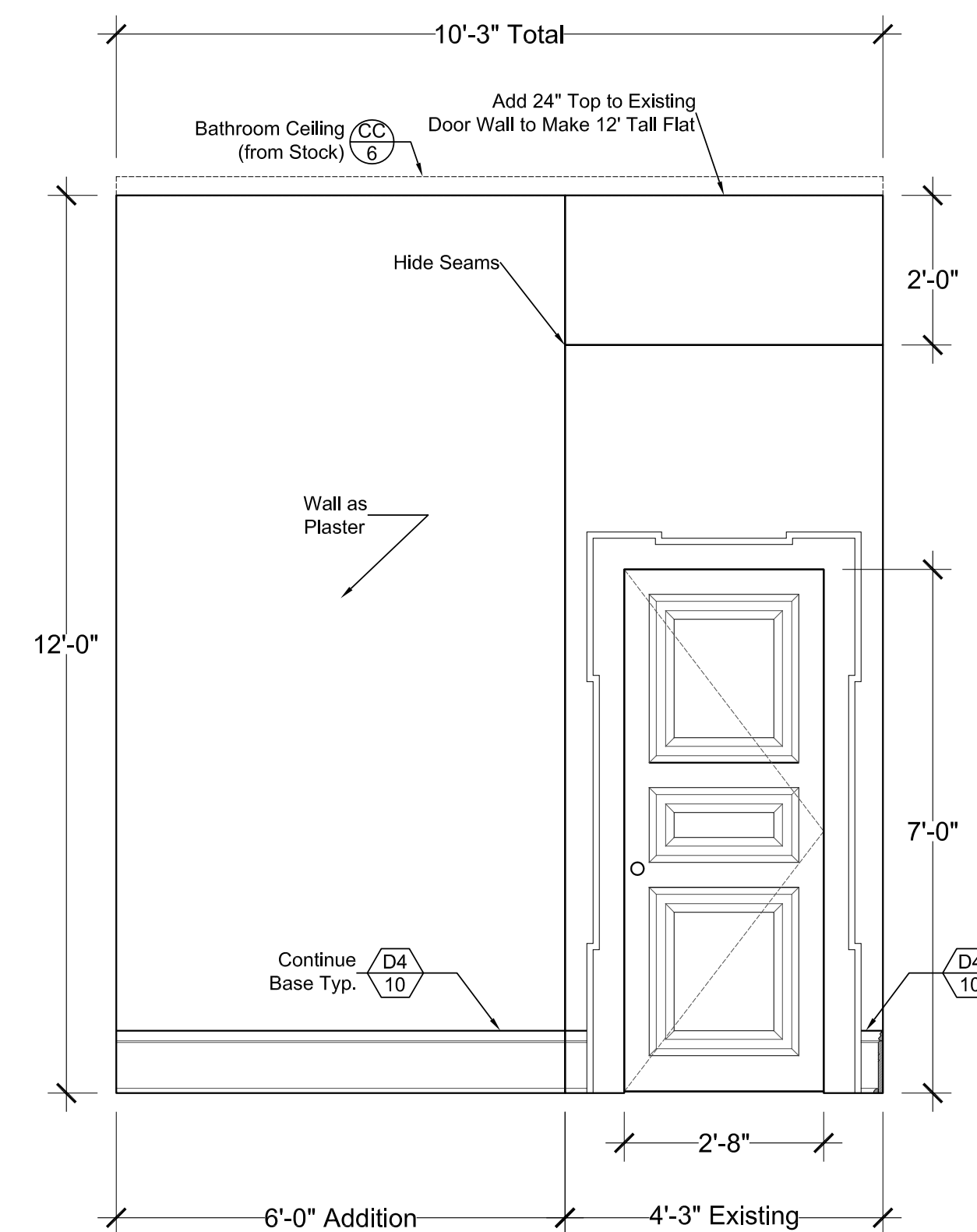
BATHROOM HALL END WALL FRONT VIEW



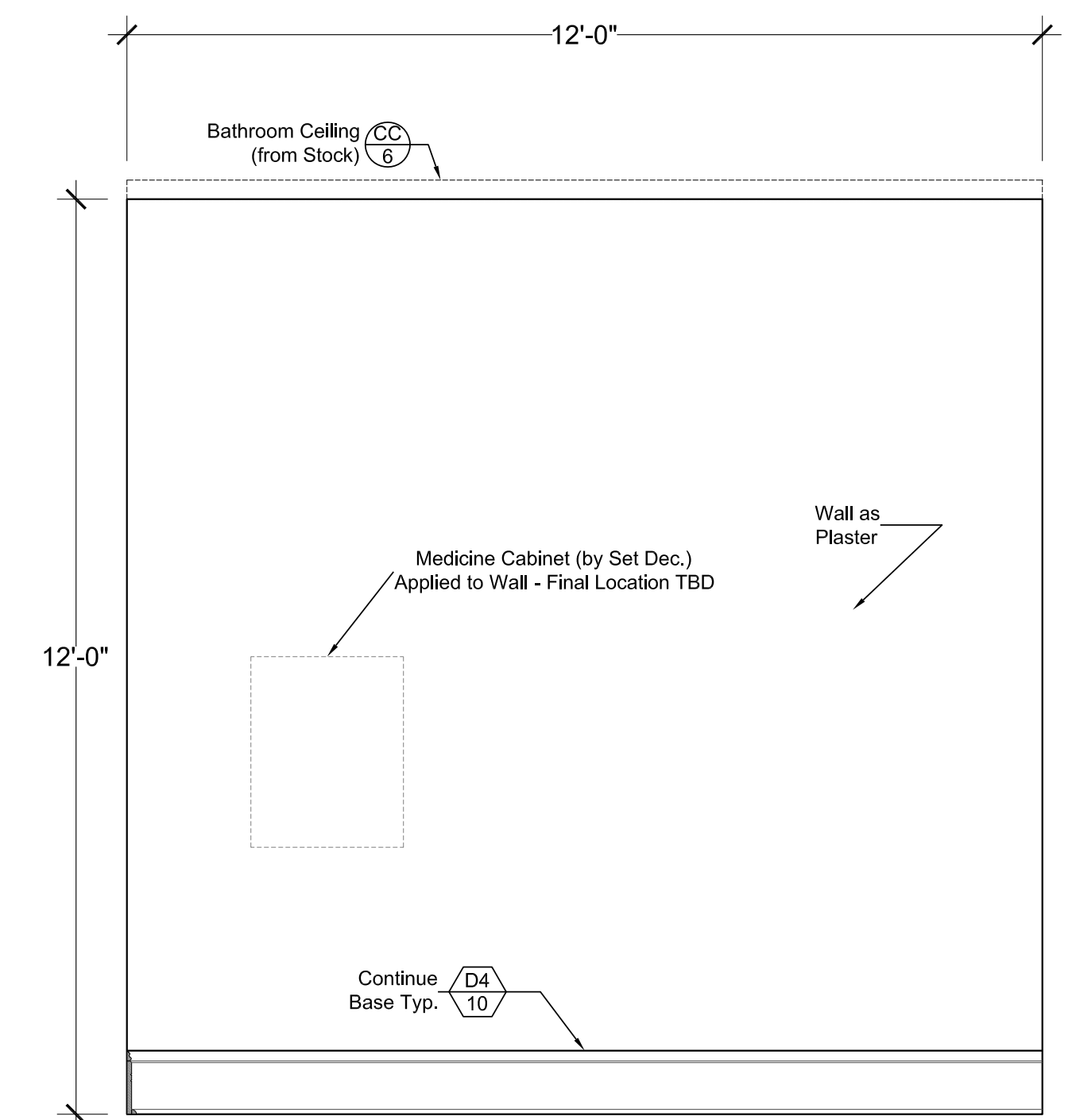
BATHROOM HALL WINDOW WALL FRONT VIEW



BATHROOM DOOR WALL FRONT VIEW



BATHROOM DOOR WALL BACK VIEW



BATHROOM SINK WALL FRONT VIEW

I ROOFTOP STUDIO APT. ELEV.
SCALE: 1/2" = 1'-0"

J ROOFTOP STUDIO APARTMENT ELEV.
SCALE: 1/2" = 1'-0"

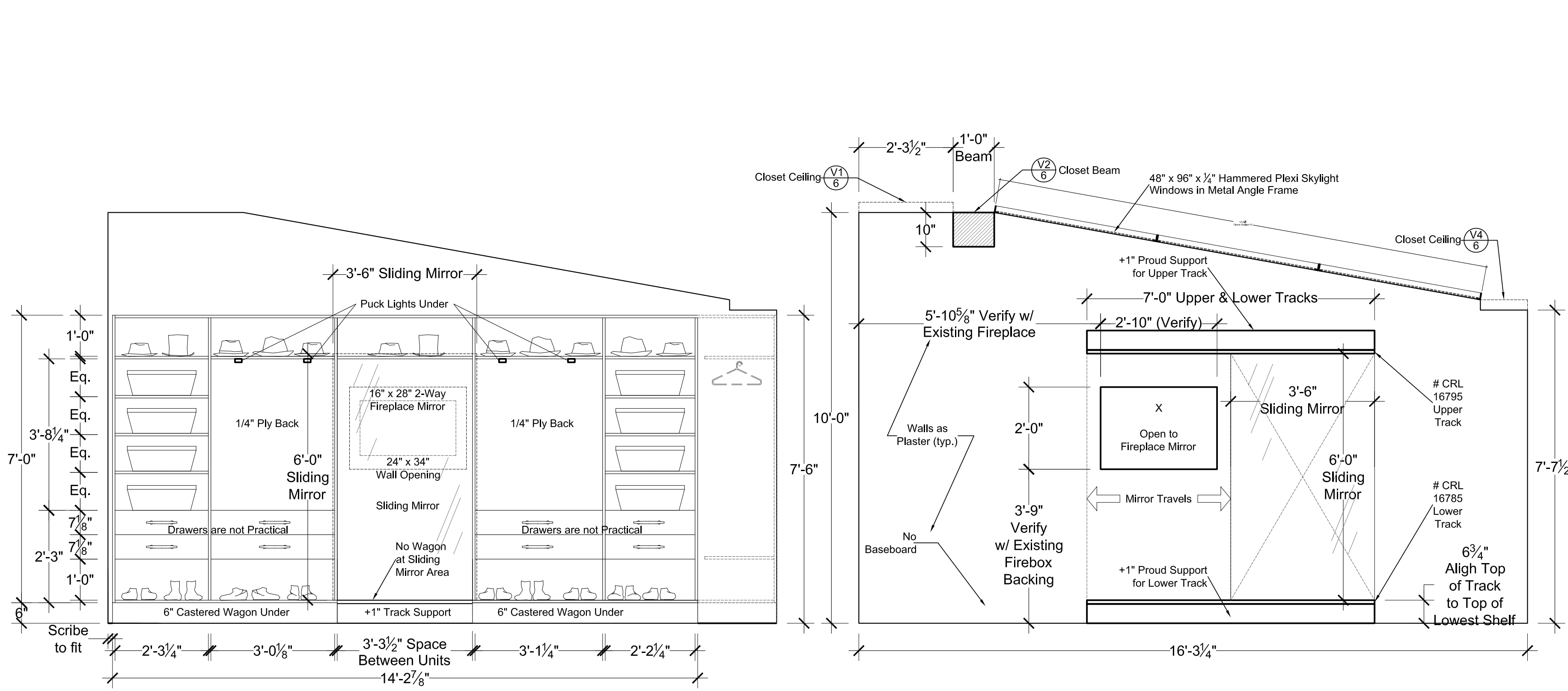
K ROOFTOP STUDIO APT. ELEV.
SCALE: 1/2" = 1'-0"

* Wall is Double-Sided - Same Finish w/ Casing & Baseboard Front & Back - Left-Handed Door Opens Out of Hallway

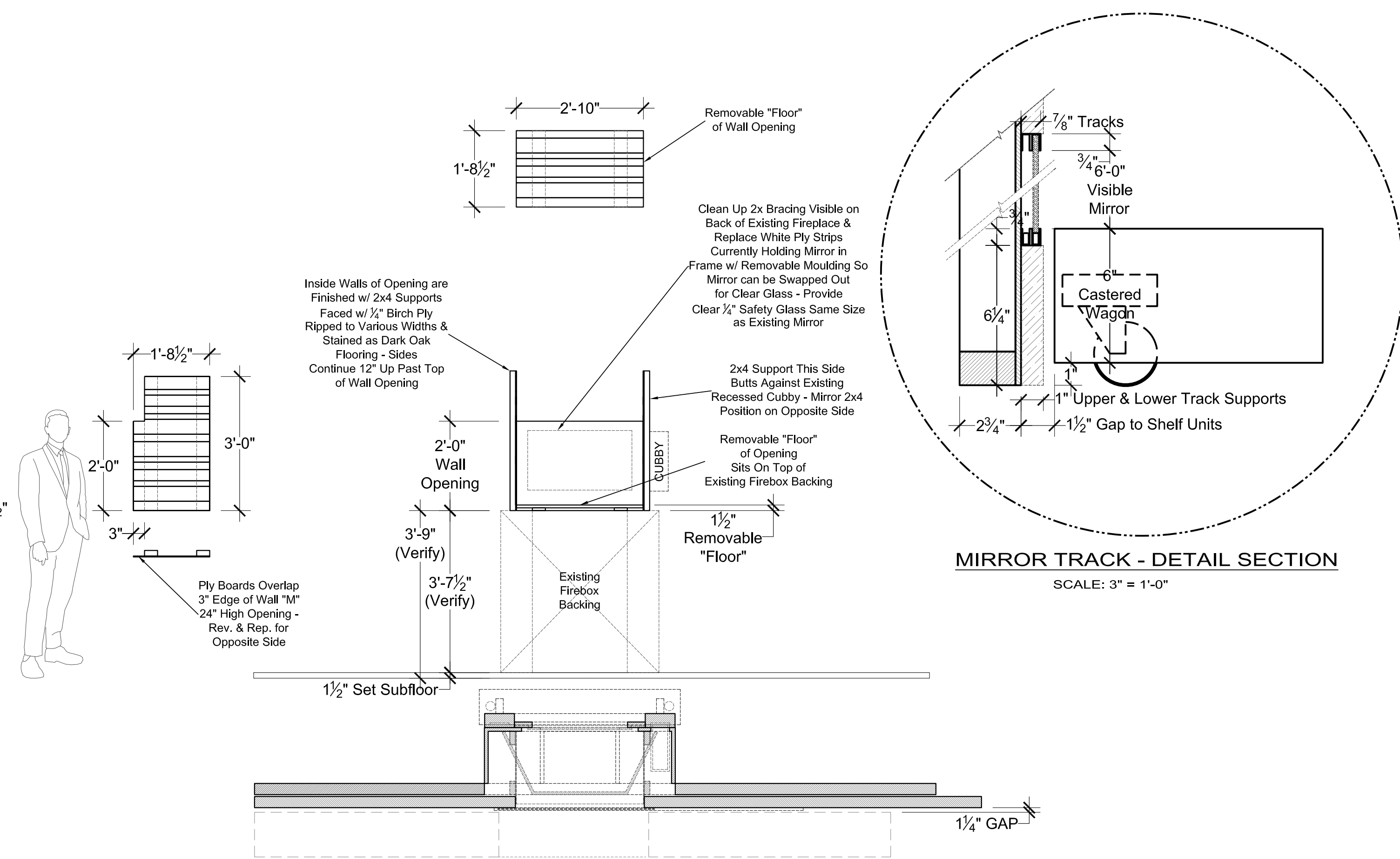
AA ROOFTOP STUDIO APT. ELEV.
SCALE: 1/2" = 1'-0"

* This is the Reverse of Wall "K" (left) with the Addition of 6" of Wall Plus 2" on Top of Door

BB ROOFTOP STUDIO APT. ELEV.
SCALE: 1/2" = 1'-0"

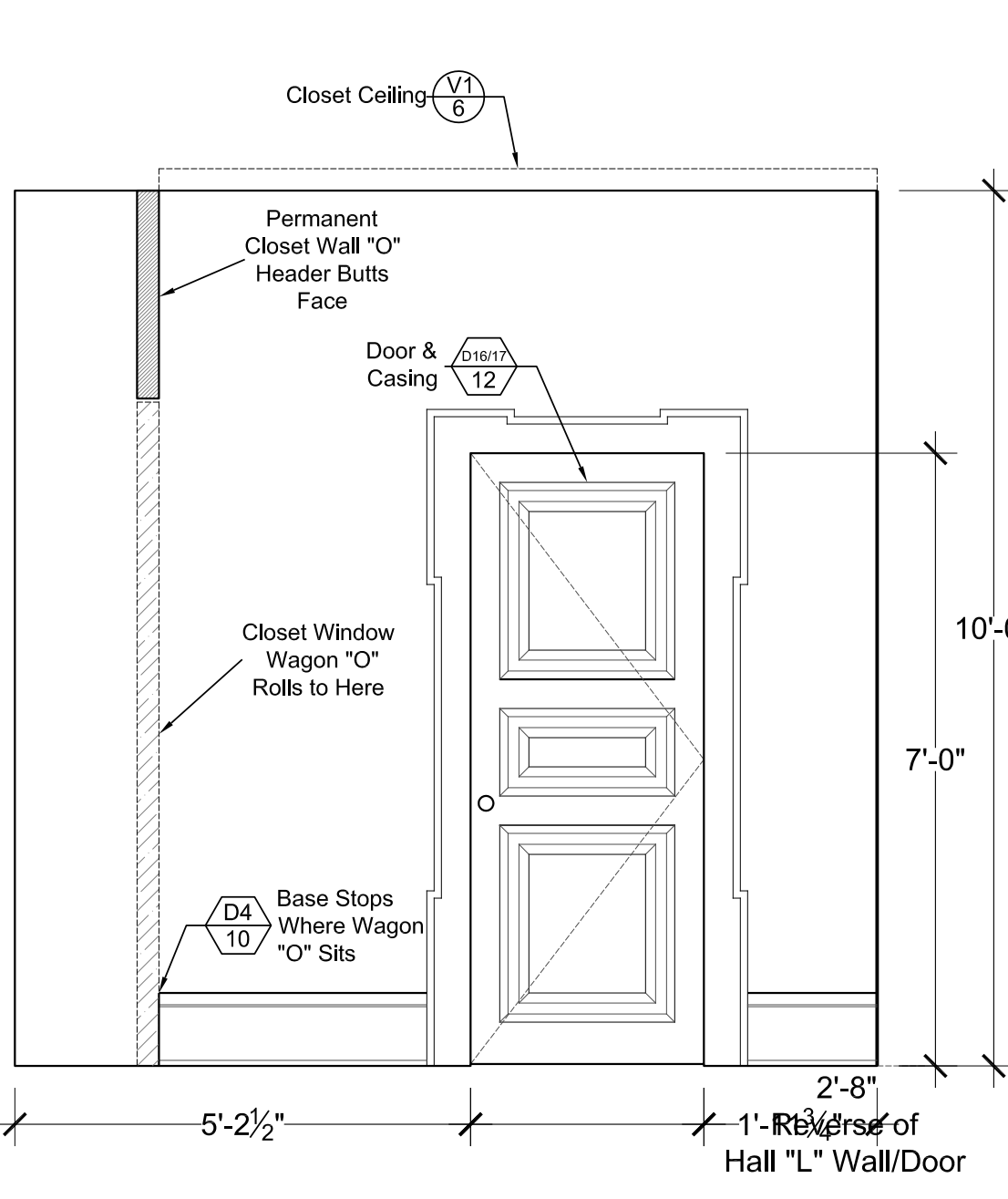


CLOSET WALL "M" CABINETRY & BASE PEEP-HOLE WALL "M" - FRONT VIEW

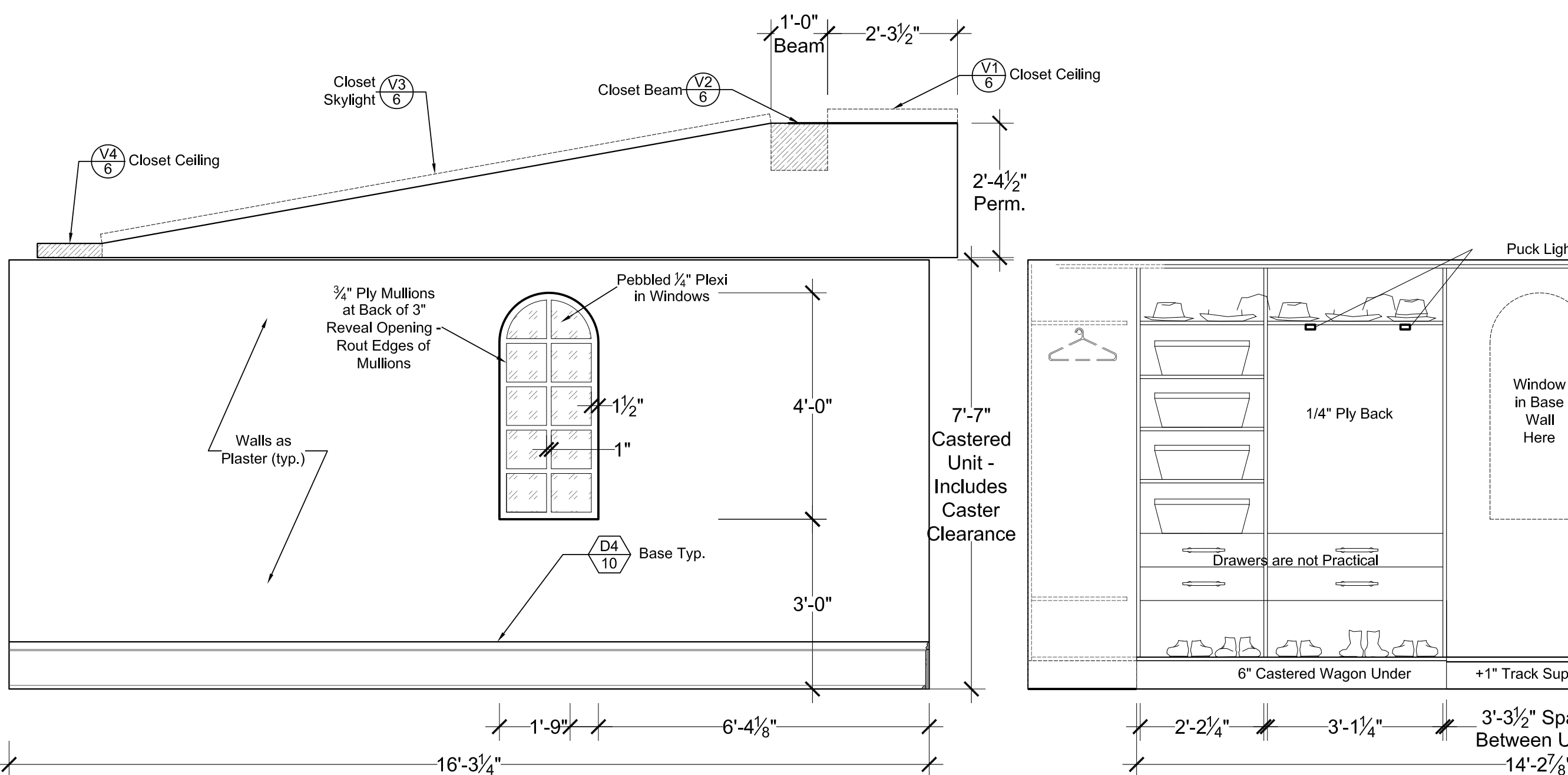


PEEP-HOLE WALL "M" - PLAN, FRONT & INTERIOR SIDE VIEWS

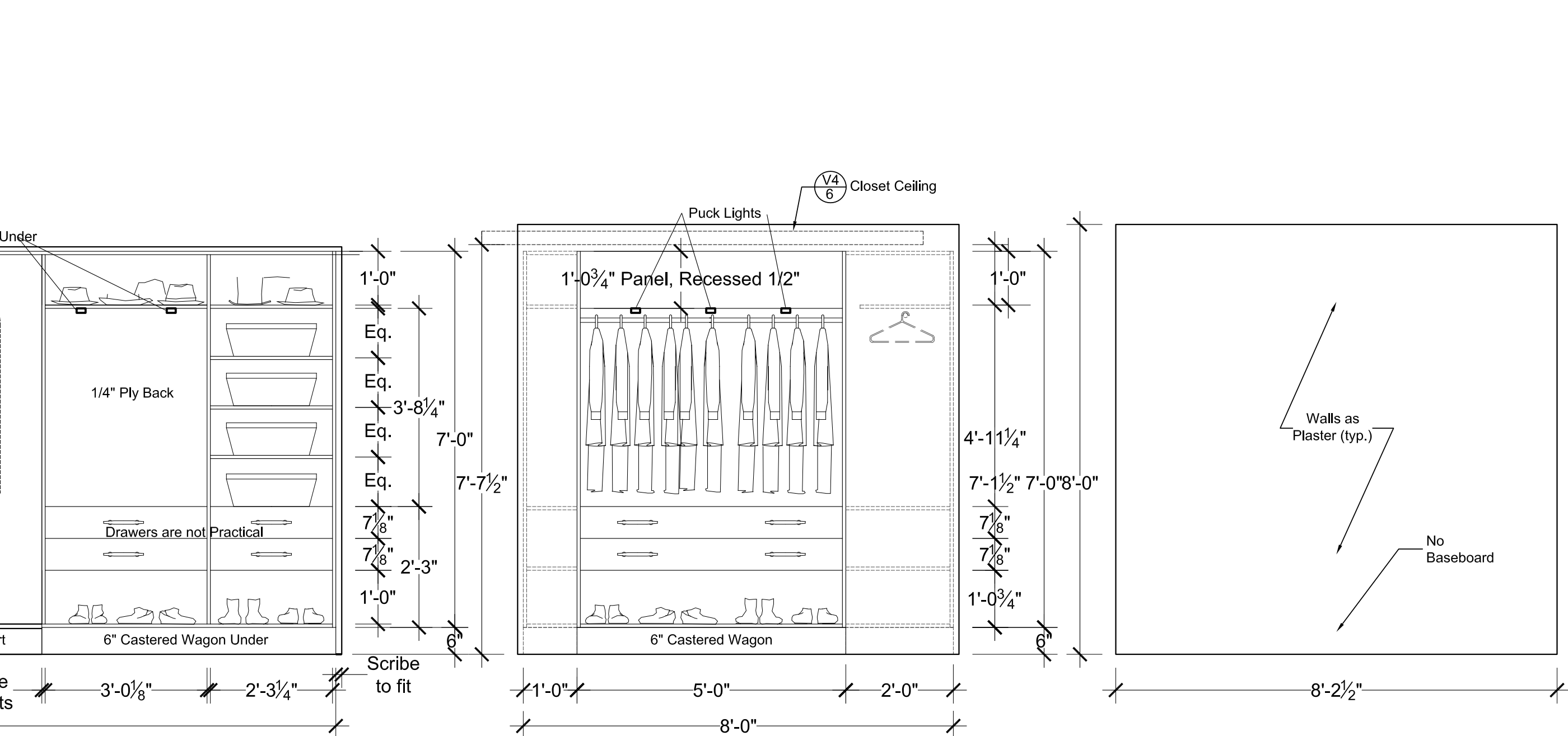
M ROOFTOP STUDIO APARTMENT ELEV.
SCALE: 1/2" = 1'-0"
* Wall Backs Up to and Aligns with Living Room Fireplace Wall



CLOSET DOOR WALL "P" - FRONT VIEW



CLOSET WINDOW BASE WALL "O" & WALL "O" CABINETRY - FRONT VIEW

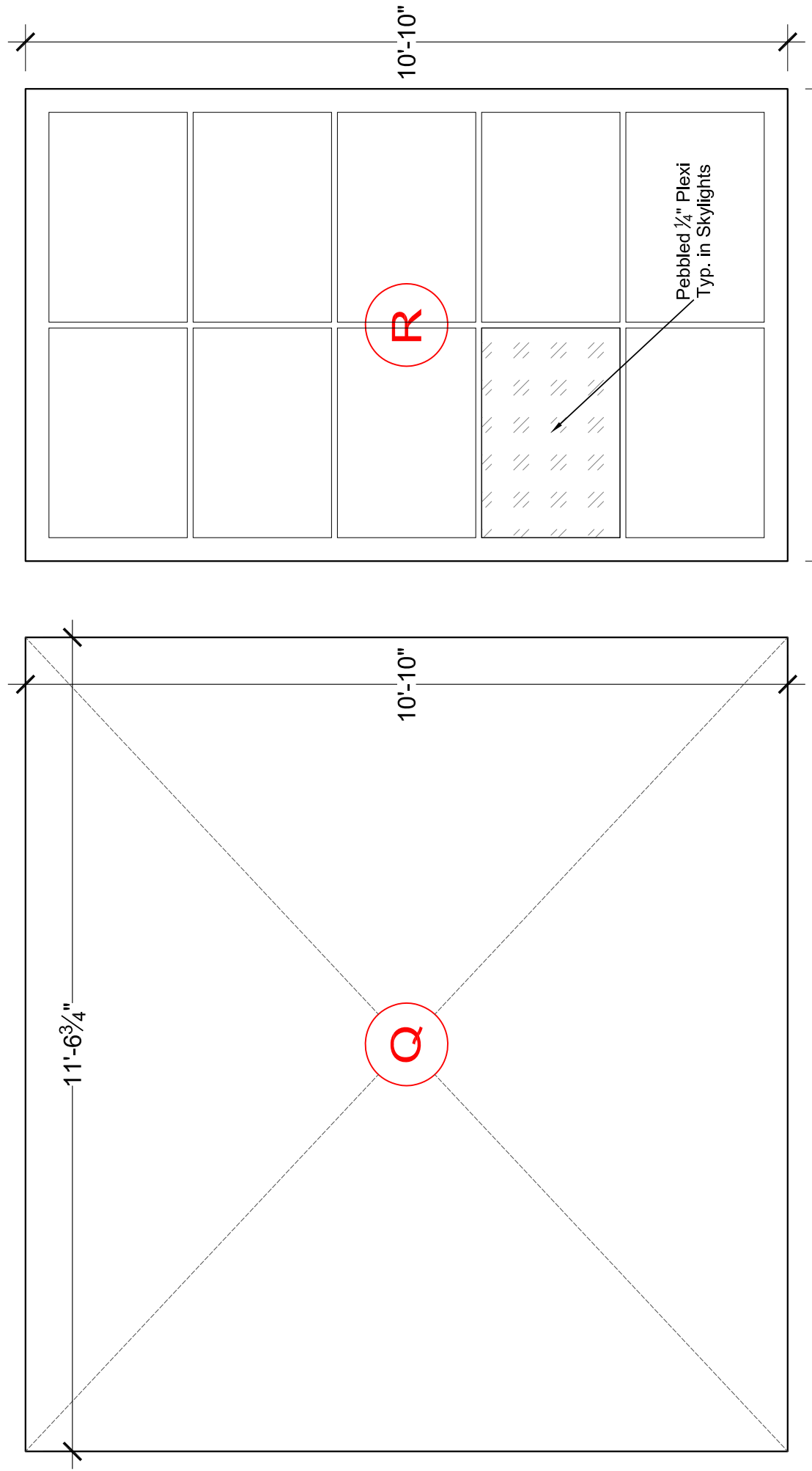


CLOSET END WALL "P" CABINETRY & BASE WALL "P" - FRONT VIEW

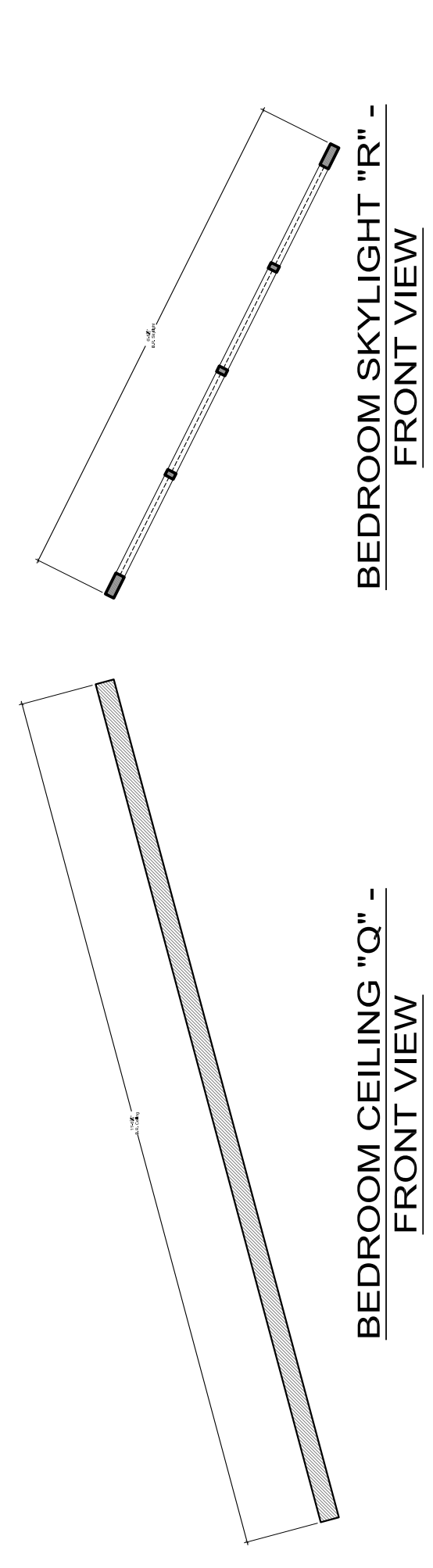
N ROOFTOP STUDIO APARTMENT ELEV.
SCALE: 1/2" = 1'-0"
* Door is Reverse of Bathroom Hall Wall "L"

O ROOFTOP STUDIO APARTMENT ELEV.
SCALE: 1/2" = 1'-0"

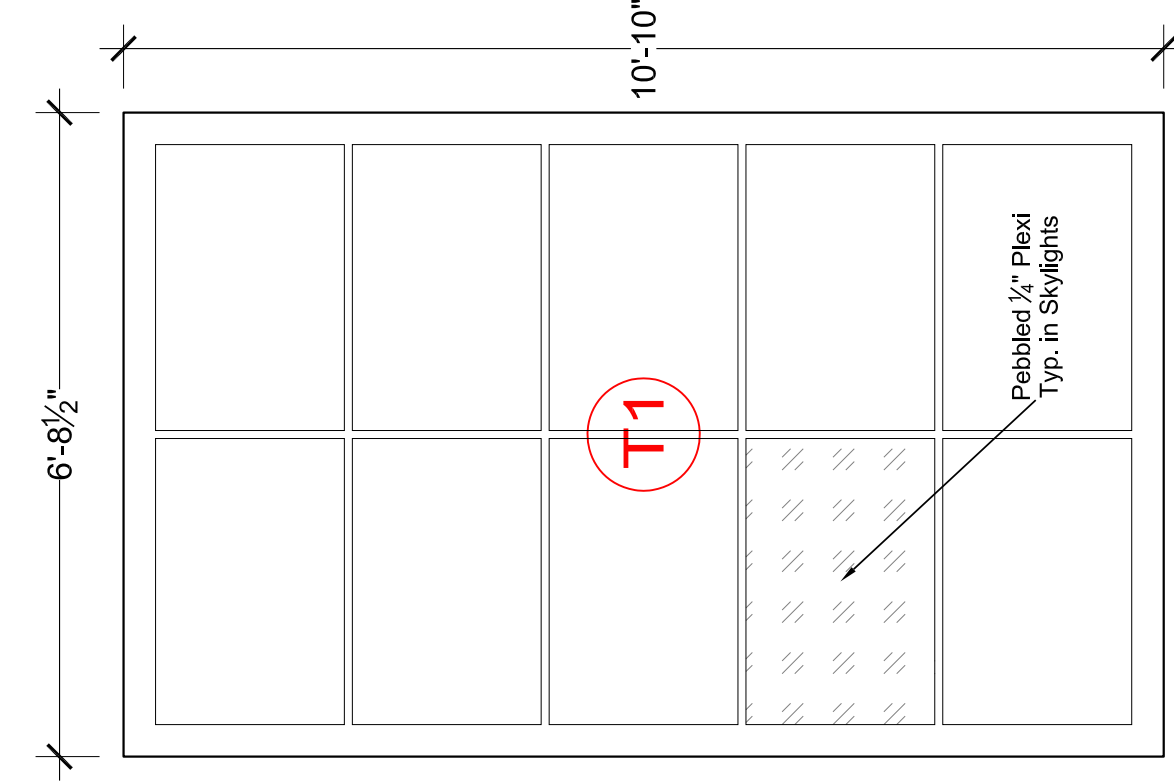
P ROOFTOP STUDIO APARTMENT ELEV.
SCALE: 1/2" = 1'-0"



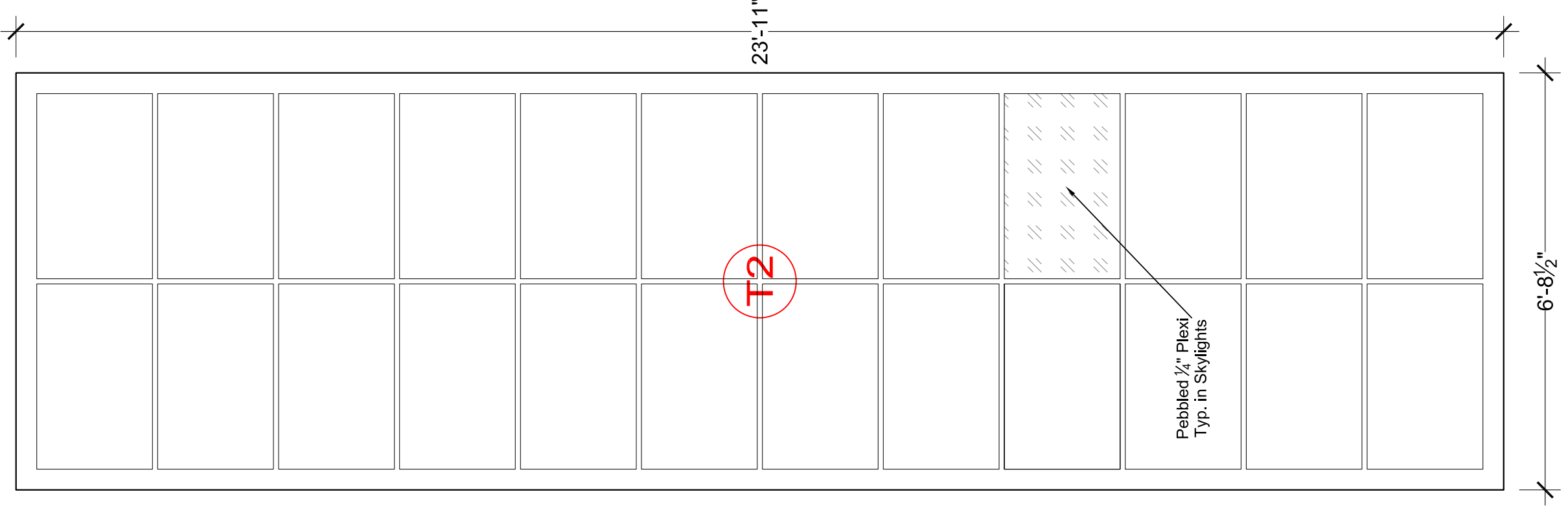
10'-10"
6'-8 1/2"
Bedroom Skylight "R" -
TRUE FLATTENED PLAN VIEW



10'-10"
6'-8 1/2"
Bedroom Skylight "R" -
FRONT VIEW



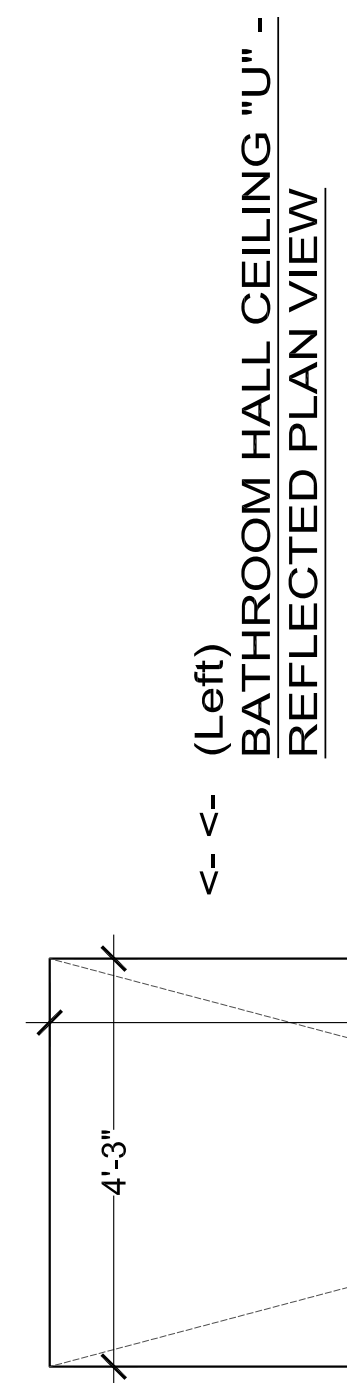
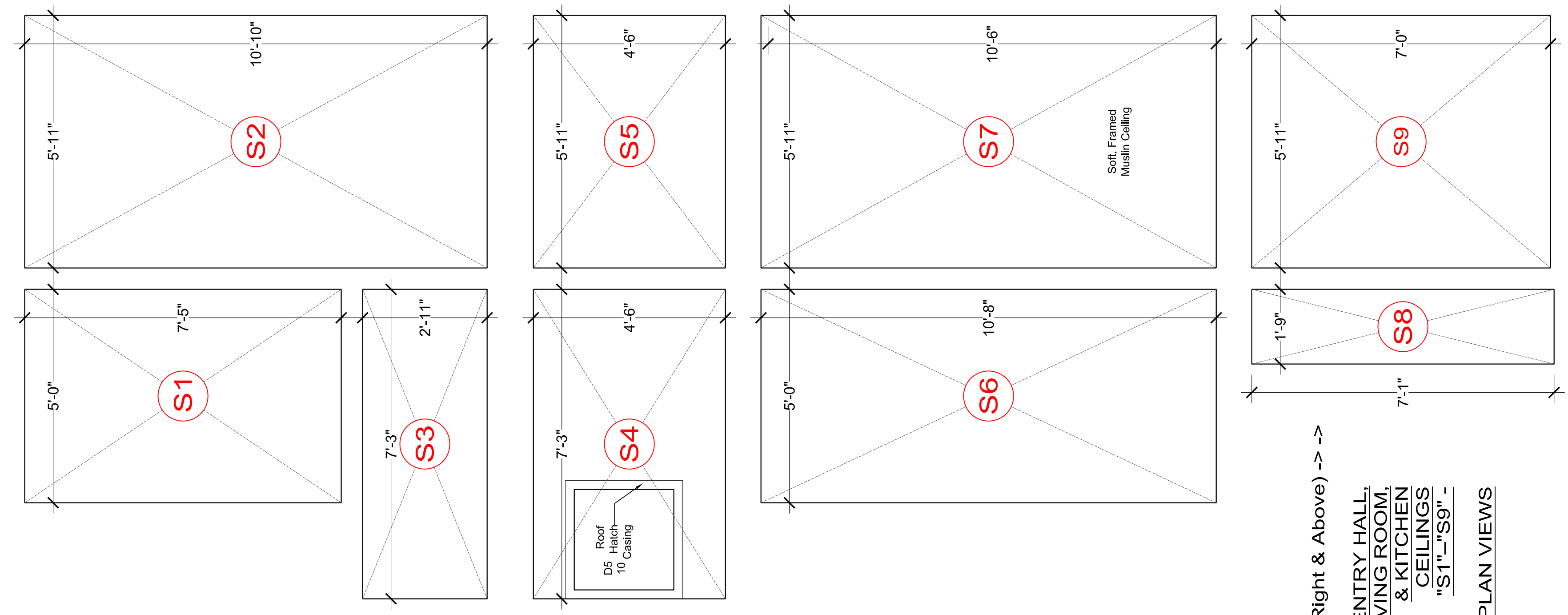
11'-6 3/4"
10'-10"
23'-11"
6'-8 1/2"
Living Room Skylights "T1" & "T2" -
TRUE FLATTENED PLAN VIEW



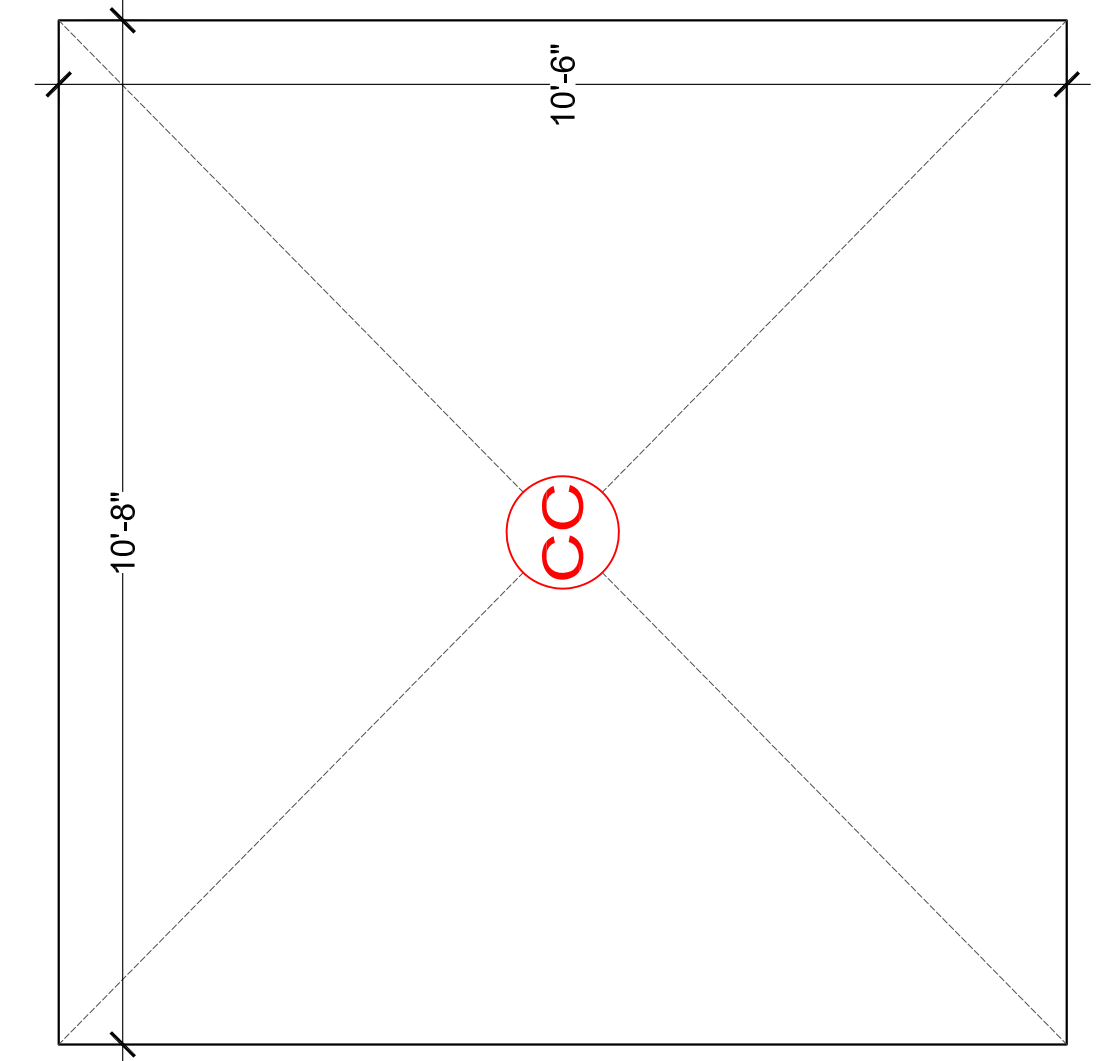
ROOFTOP STUDIO APARTMENT CEILINGS & SKYLIGHTS
SCALE: 1/2" = 1'-0" - BUILD ONE (1) EACH

NOTE: All Ceilings are HARD COVERED
and Painted Except for Kitchen Ceiling "S7"
Which Site Above Kitchen Table

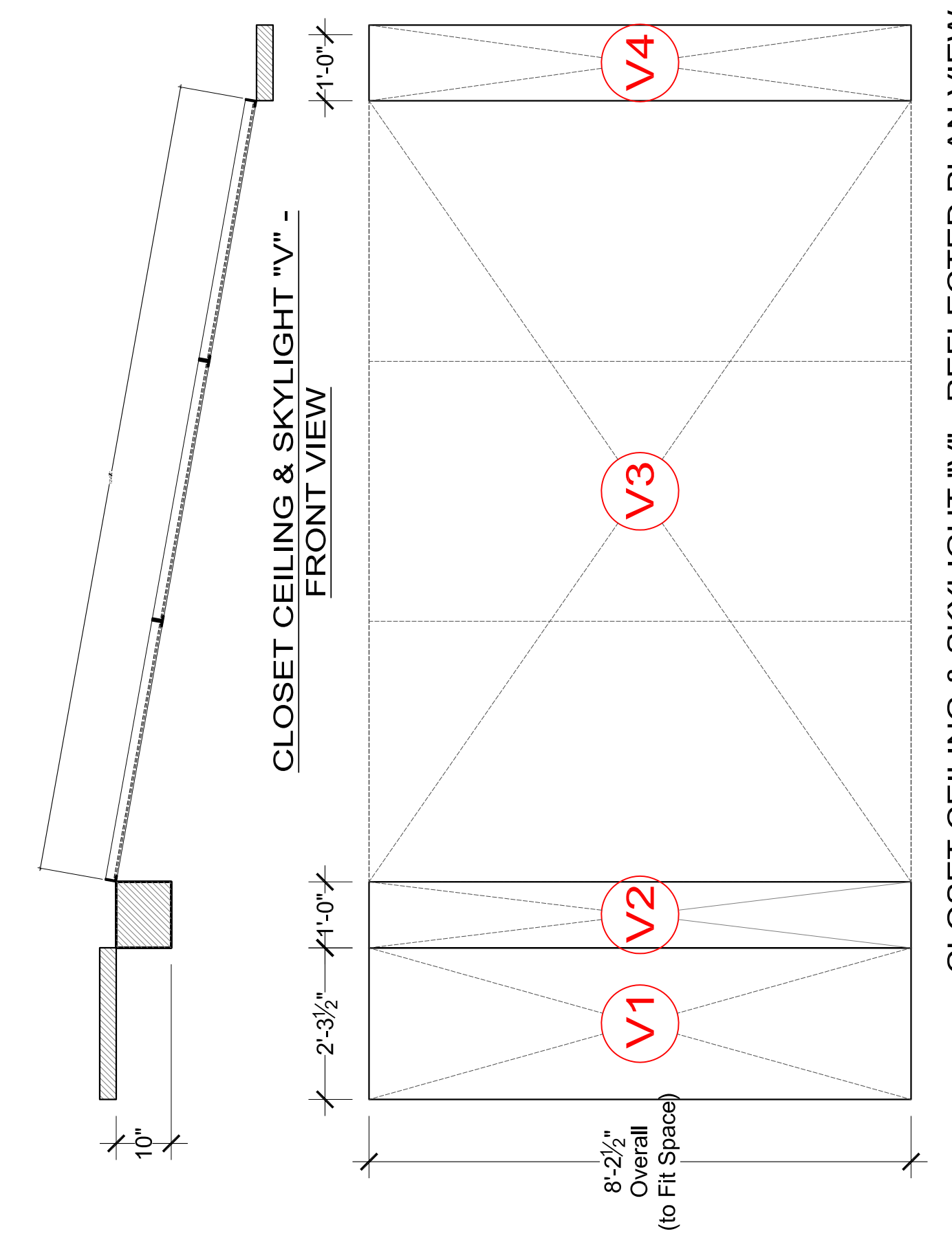
(Right & Above) -> ->
ENTRY HALL,
LIVING ROOM,
& KITCHEN
CEILINGS
"S1"-"S9" -
PLAN VIEWS



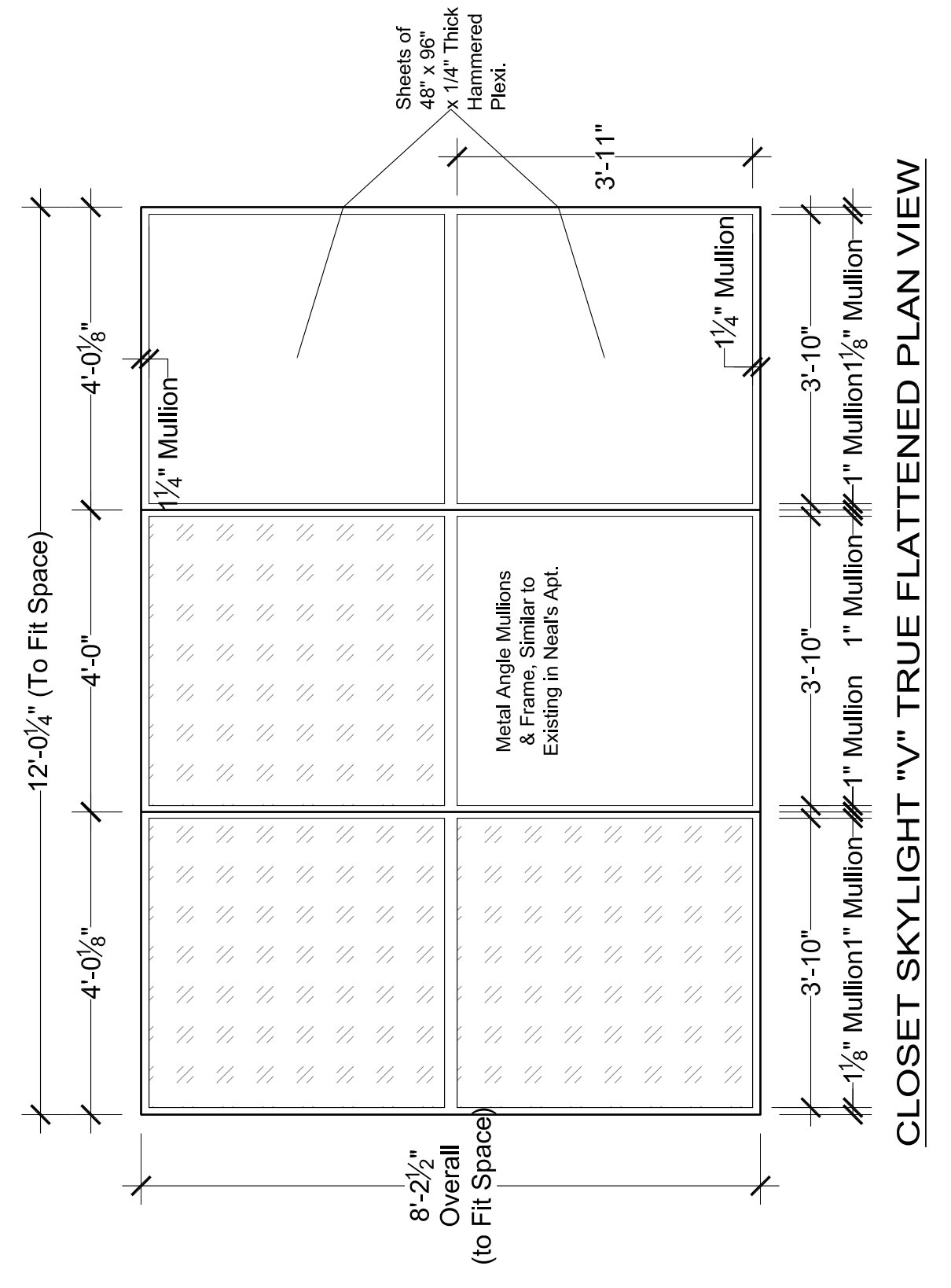
4'-3"
16'-0"
Bathroom Hall Ceiling "U" -
REFLECTED PLAN VIEW



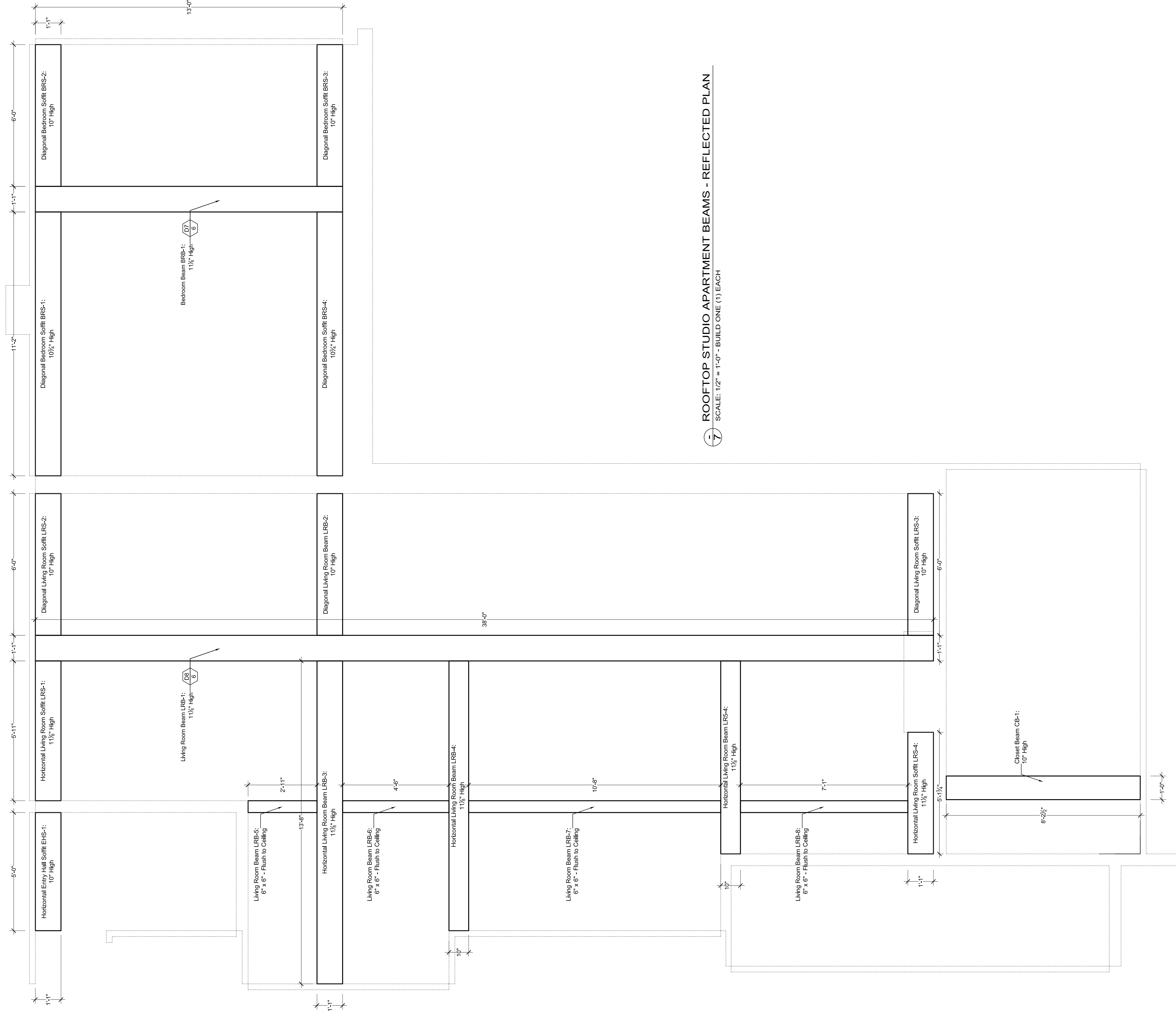
10'-8"
10'-6"
Bathroom Ceiling "CC" -
REFLECTED PLAN VIEW -
USE STOCK CEILING PIECE



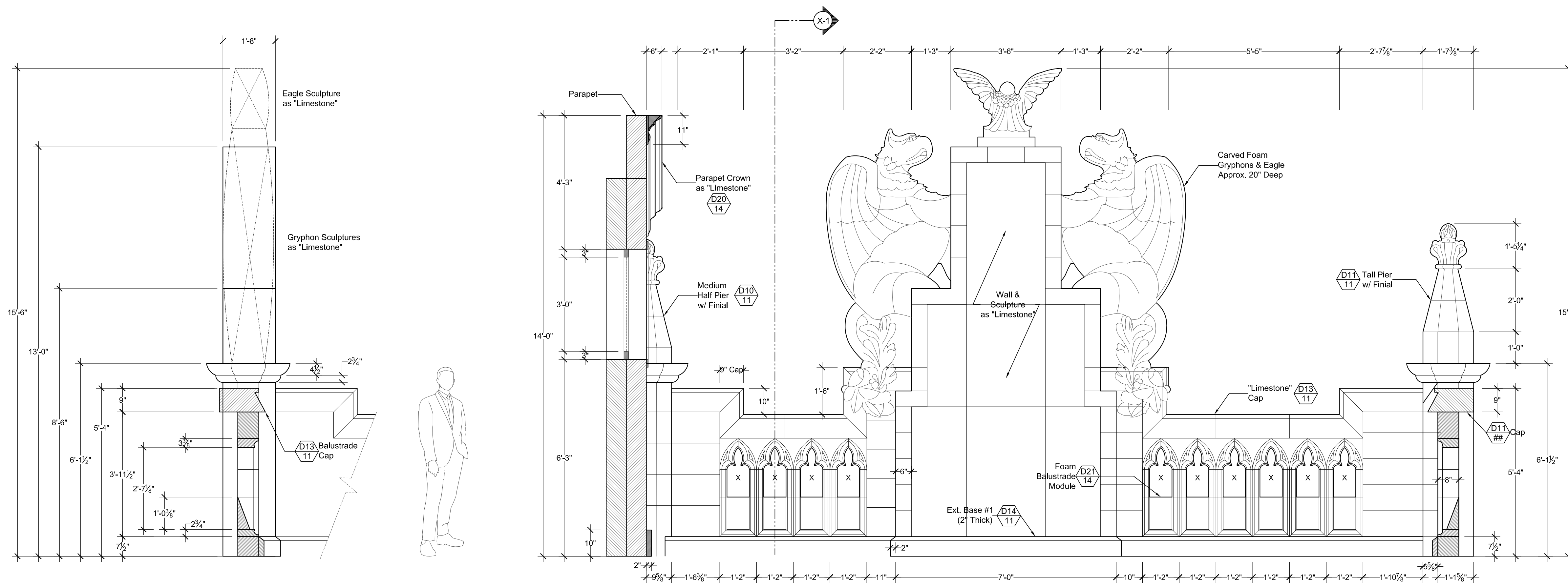
8'-2 1/2"
Overall
(to Fit Space)
2'-3 1/2"
1'-0"
1'-0"
1'-0"
Closet Ceiling & Skylight "V" -
REFLECTED PLAN VIEW



12'-0 1/4"
(To Fit Space)
4'-0 1/2"
4'-0 1/2"
3'-10"
3'-10"
3'-10"
3'-11"
1 1/4" Mullion
1" Mullion
1" Mullion
1 1/2" Mullion
Closet Skylight "V" - TRUE FLATTENED PLAN VIEW



7 ROOFTOP STUDIO APARTMENT BEAMS - REFLECTED PLAN
SCALE: 1/2" = 1'-0" - BUILD ONE (1) EACH

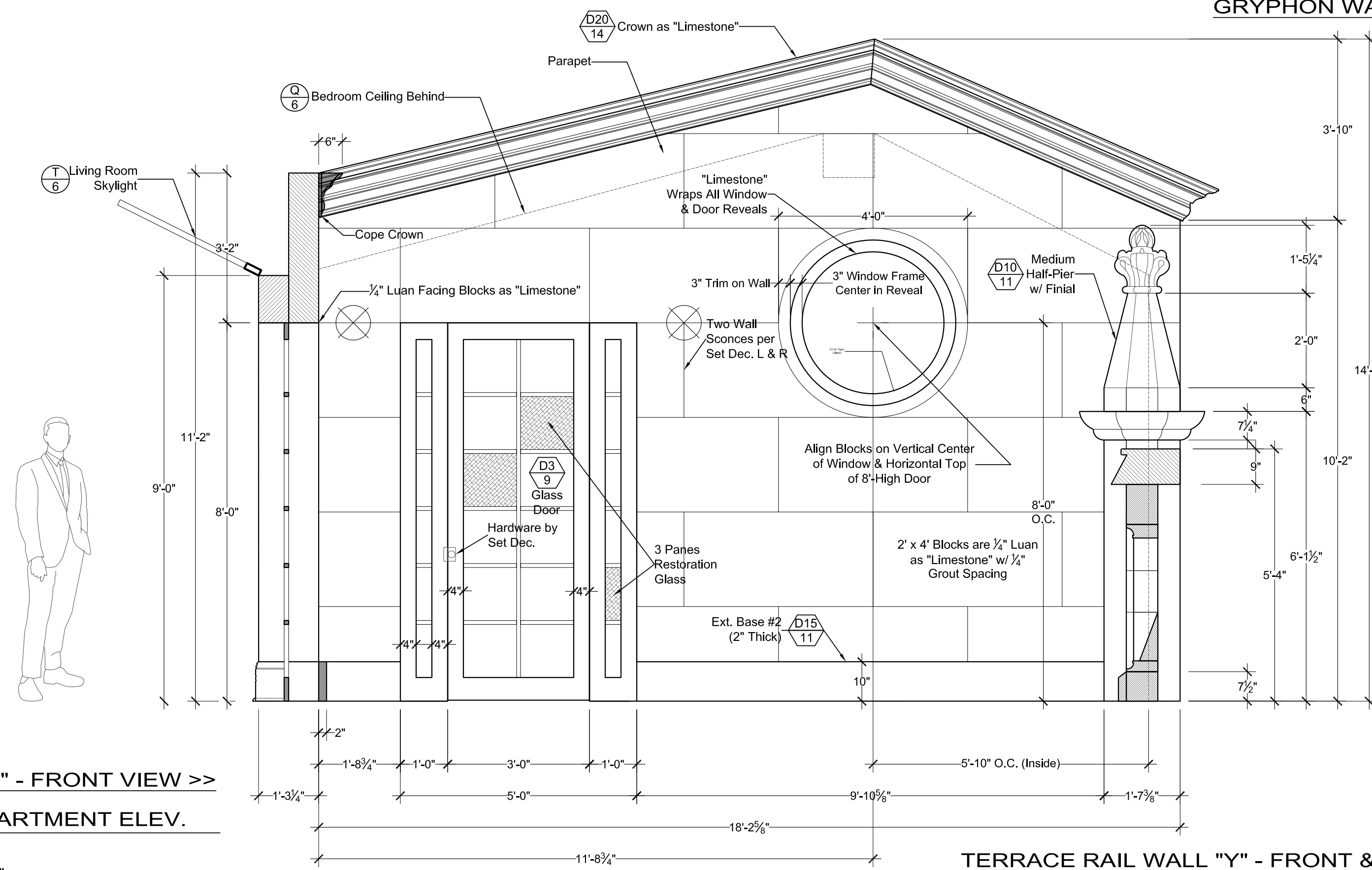


SECTION X-1

GRYPHON WALL & RAIL - FRONT VIEW

GRYPHON WALL & RAIL - PLAN

X-8 ROOFTOP APT: TERRACE GRYPHON WALL & RAIL
SCALE: 1/2" = 1'-0"



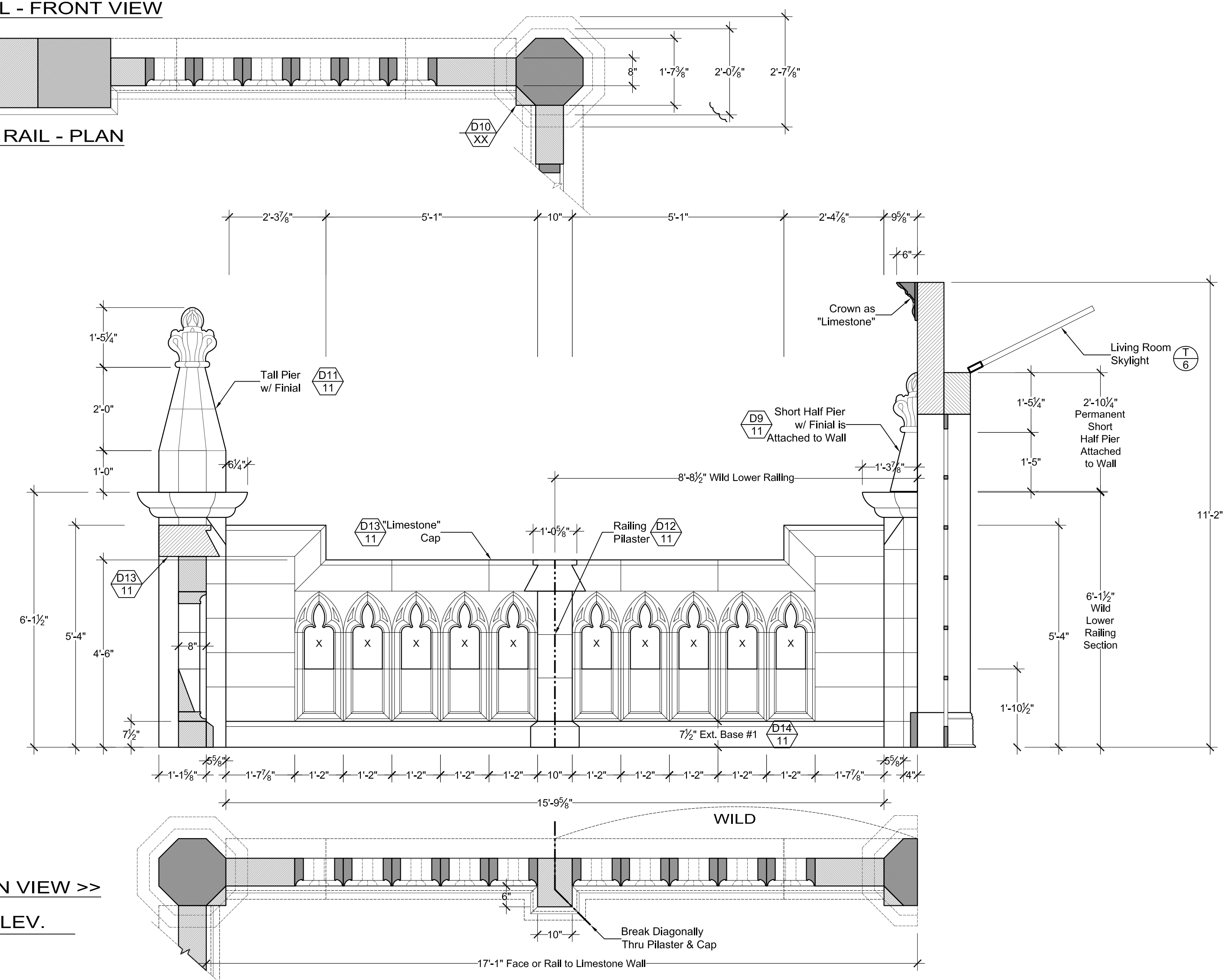
TERRACE DOOR WALL "W" - FRONT VIEW >>

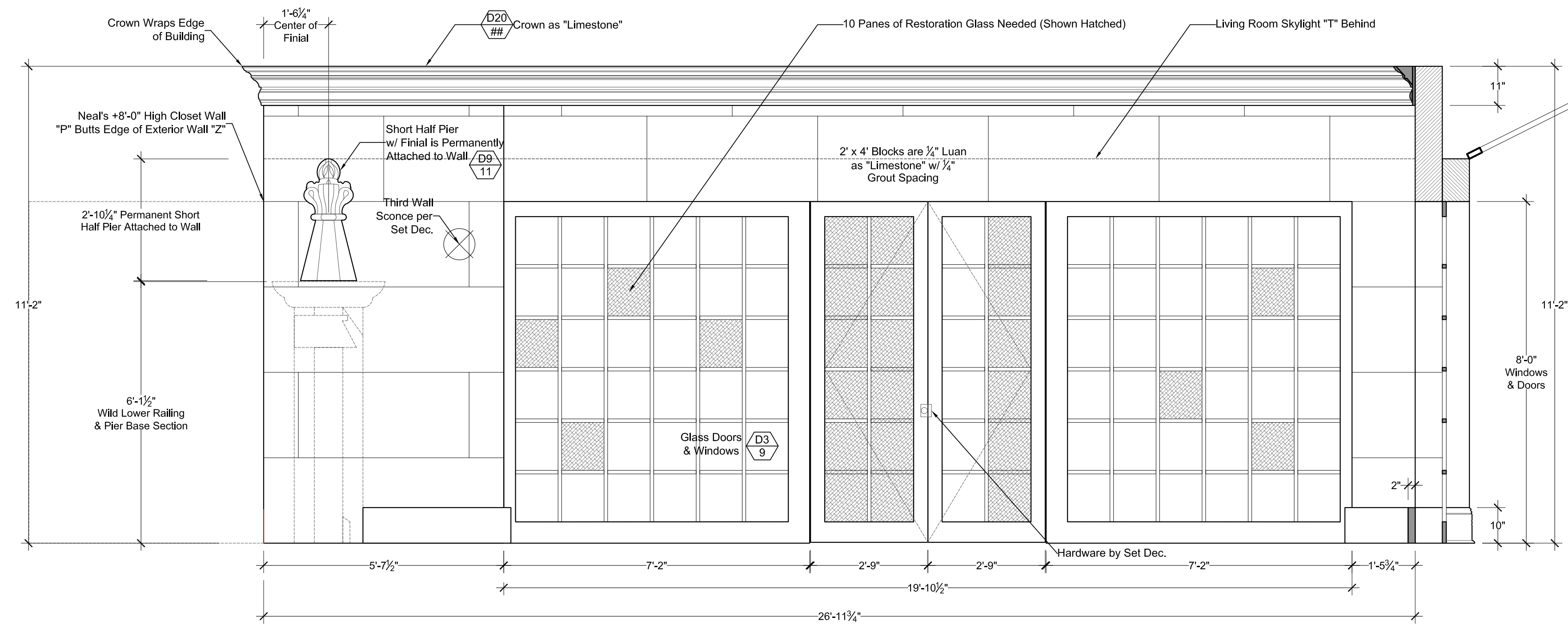
TERRACE RAIL WALL "Y" - FRONT & PLAN VIEW >>

W-8 ROOFTOP STUDIO APARTMENT ELEV.
SCALE: 1/2" = 1'-0"

* Wall is Reverse of Bedroom Wall "C"

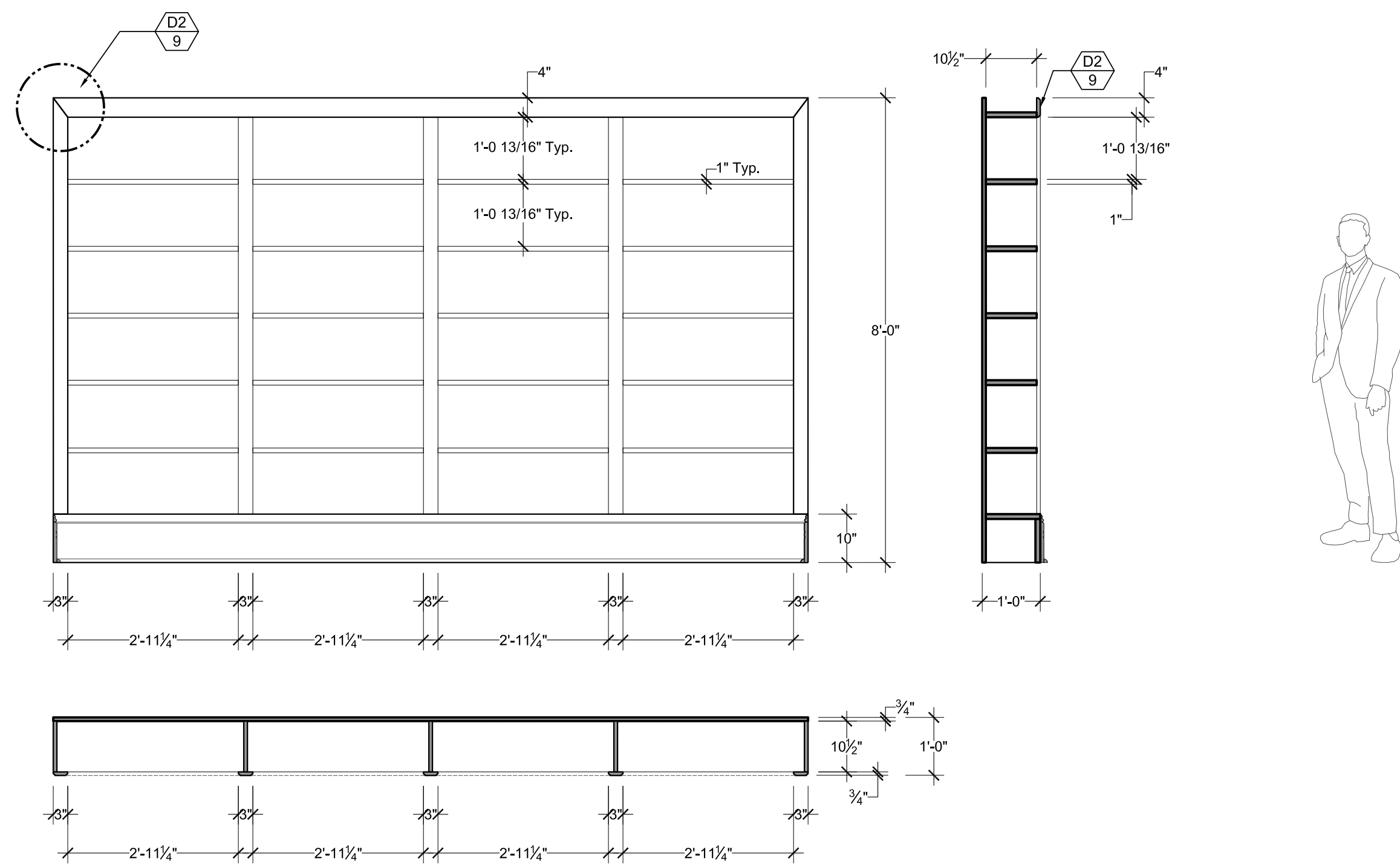
Y-8 ROOFTOP STUDIO APARTMENT ELEV.
SCALE: 1/2" = 1'-0"



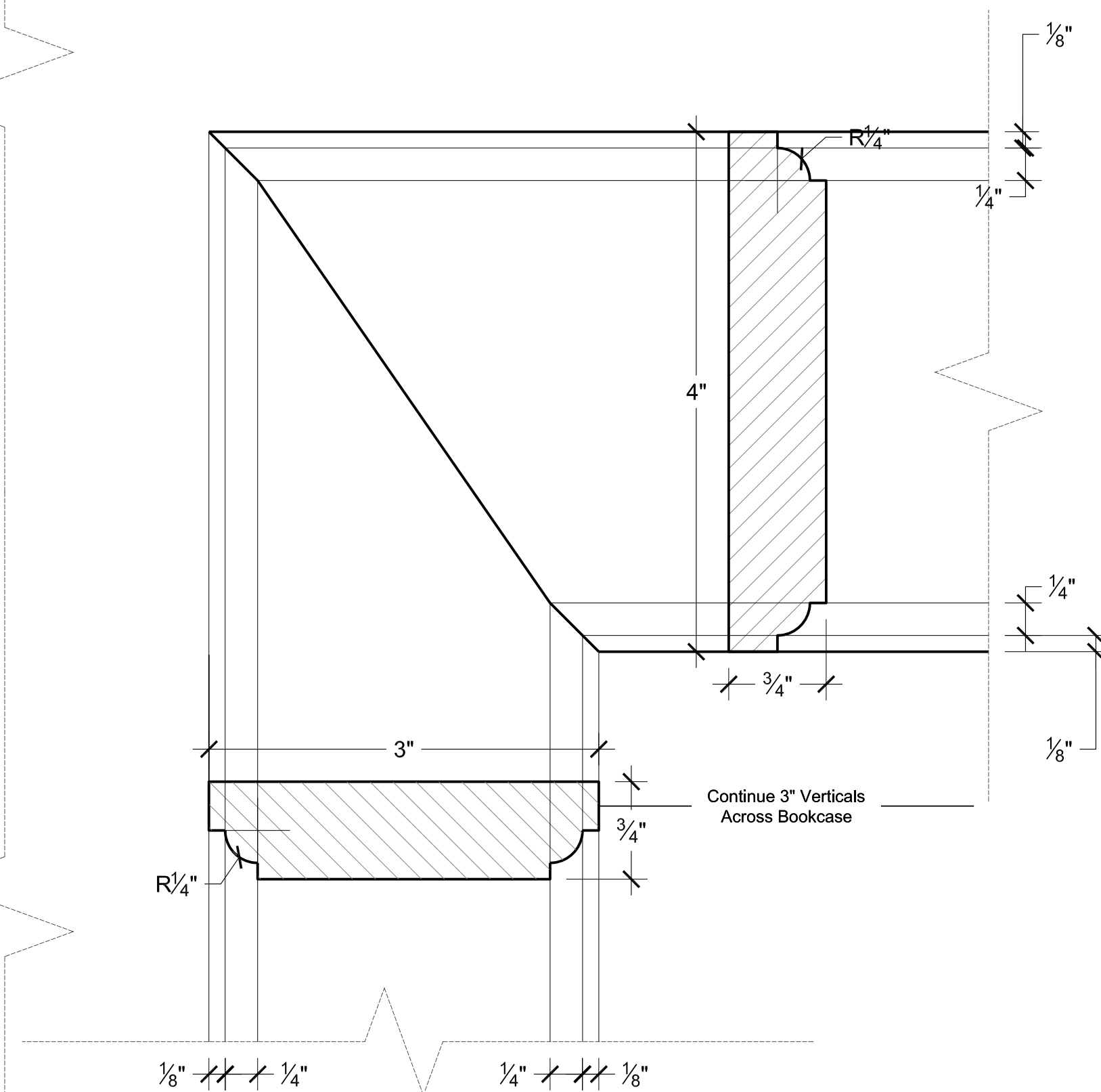


LIVING ROOM WINDOW WALL "Z" FRONT VIEW (REVERSE OF "D")

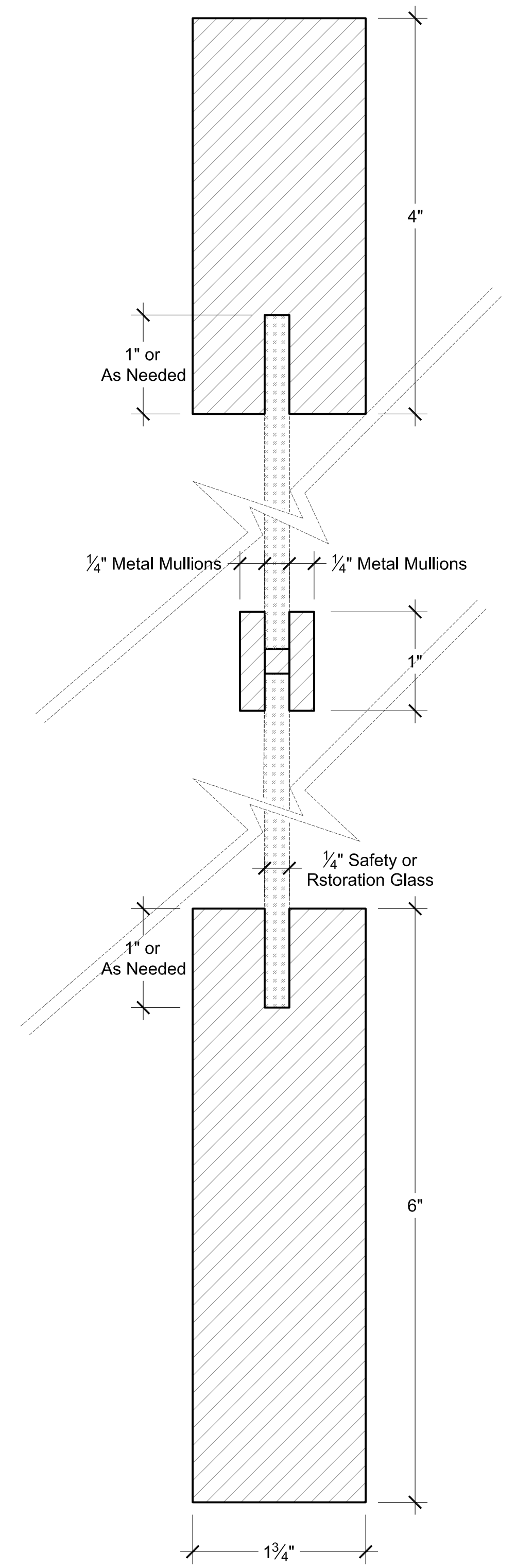
7 ROOFTOP STUDIO APARTMENT ELEVATIONS
SCALE: 1/2" = 1'-0"



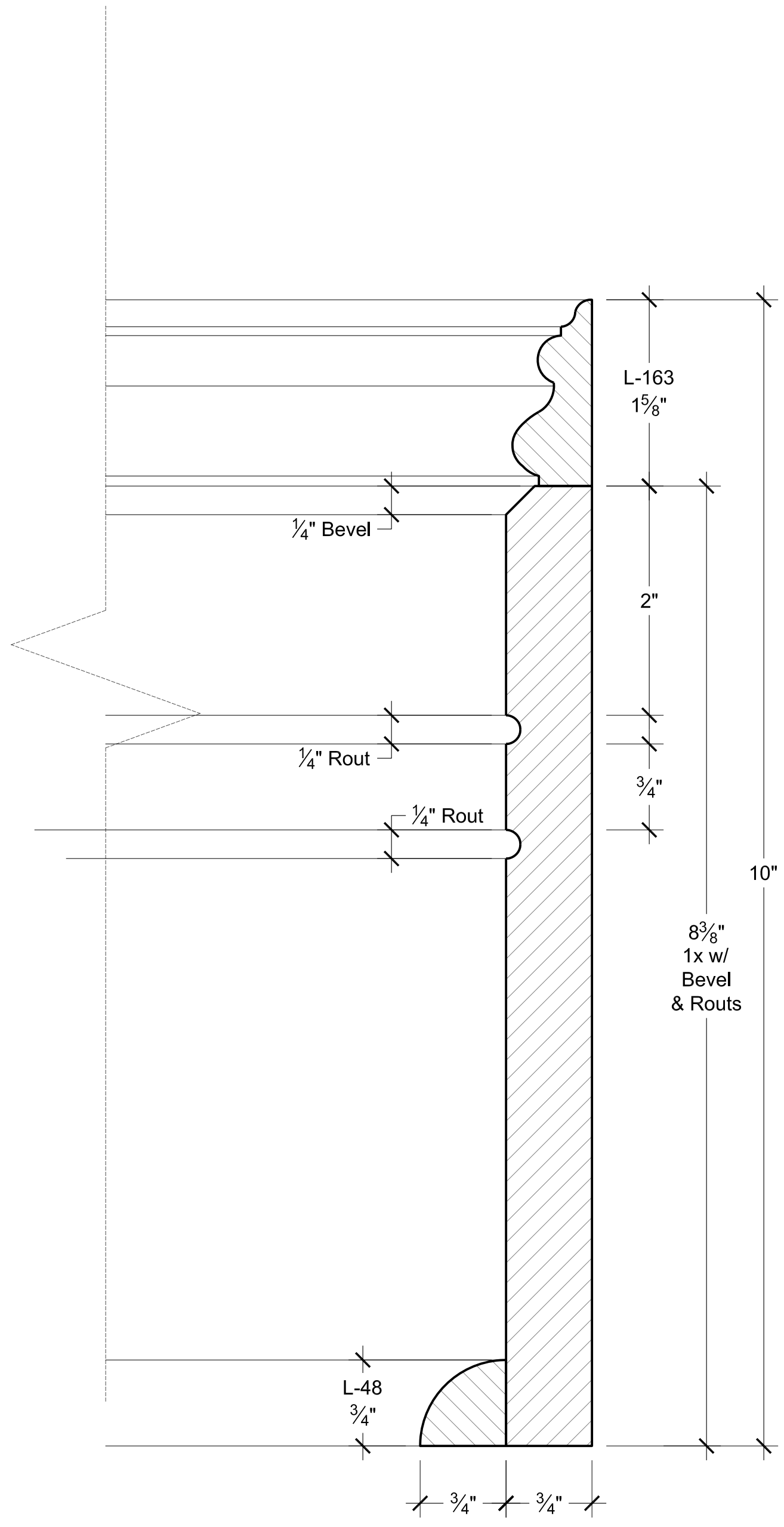
D1 ROOFTOP STUDIO APARTMENT BOOKCASE
SCALE: 1/2" = 1'-0"



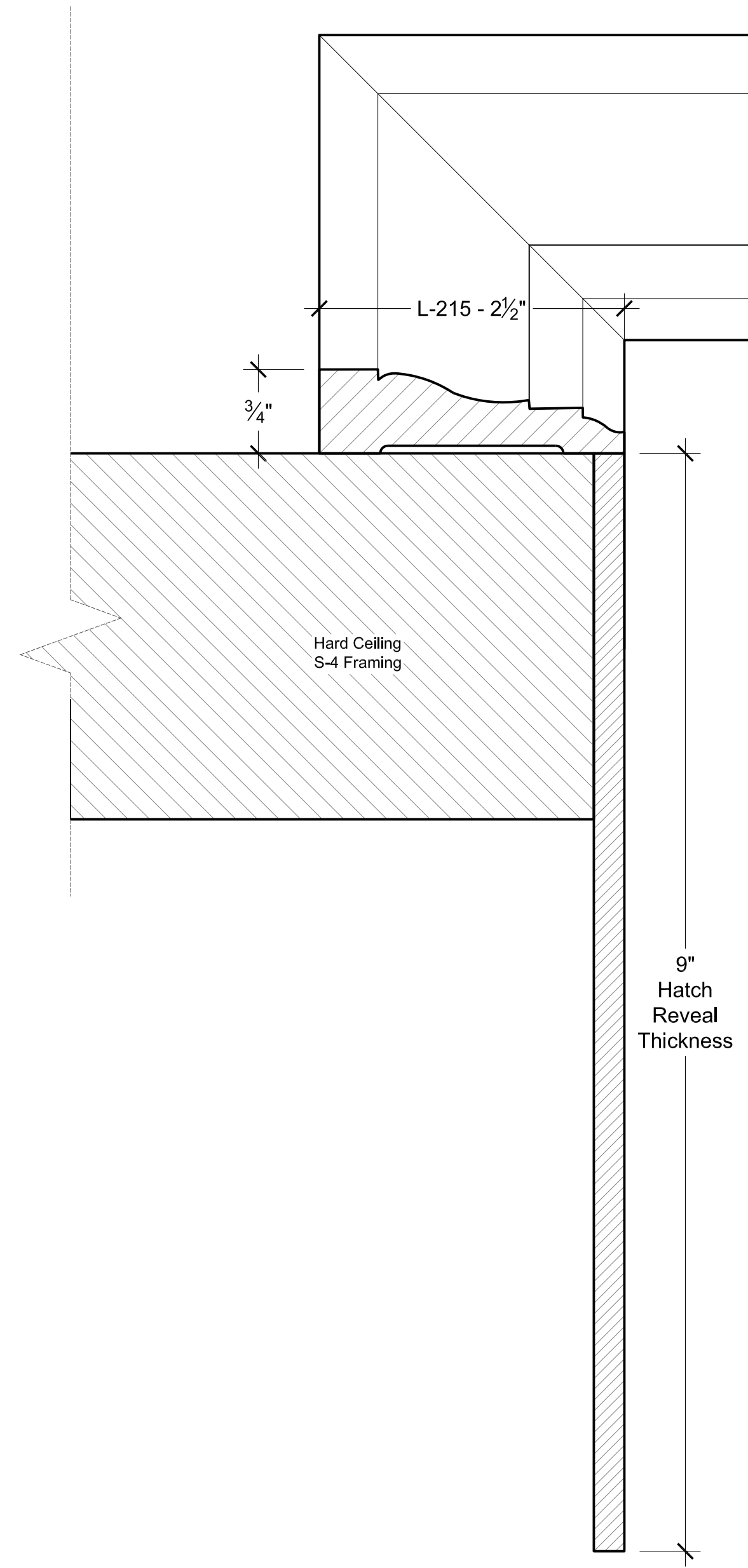
D2 NEAL APT. BOOKCASE CASING DETAIL
SCALE: FULL SCALE



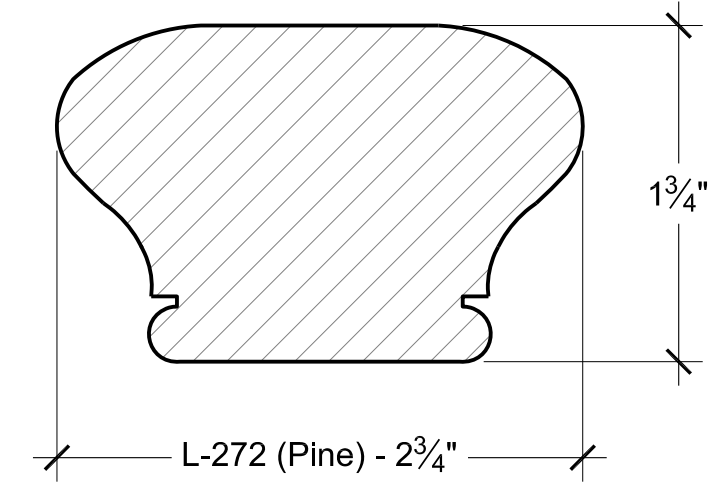
D3 NEAL APT. GLASS DOOR & WINDOW DETAIL
SCALE: FULL SCALE



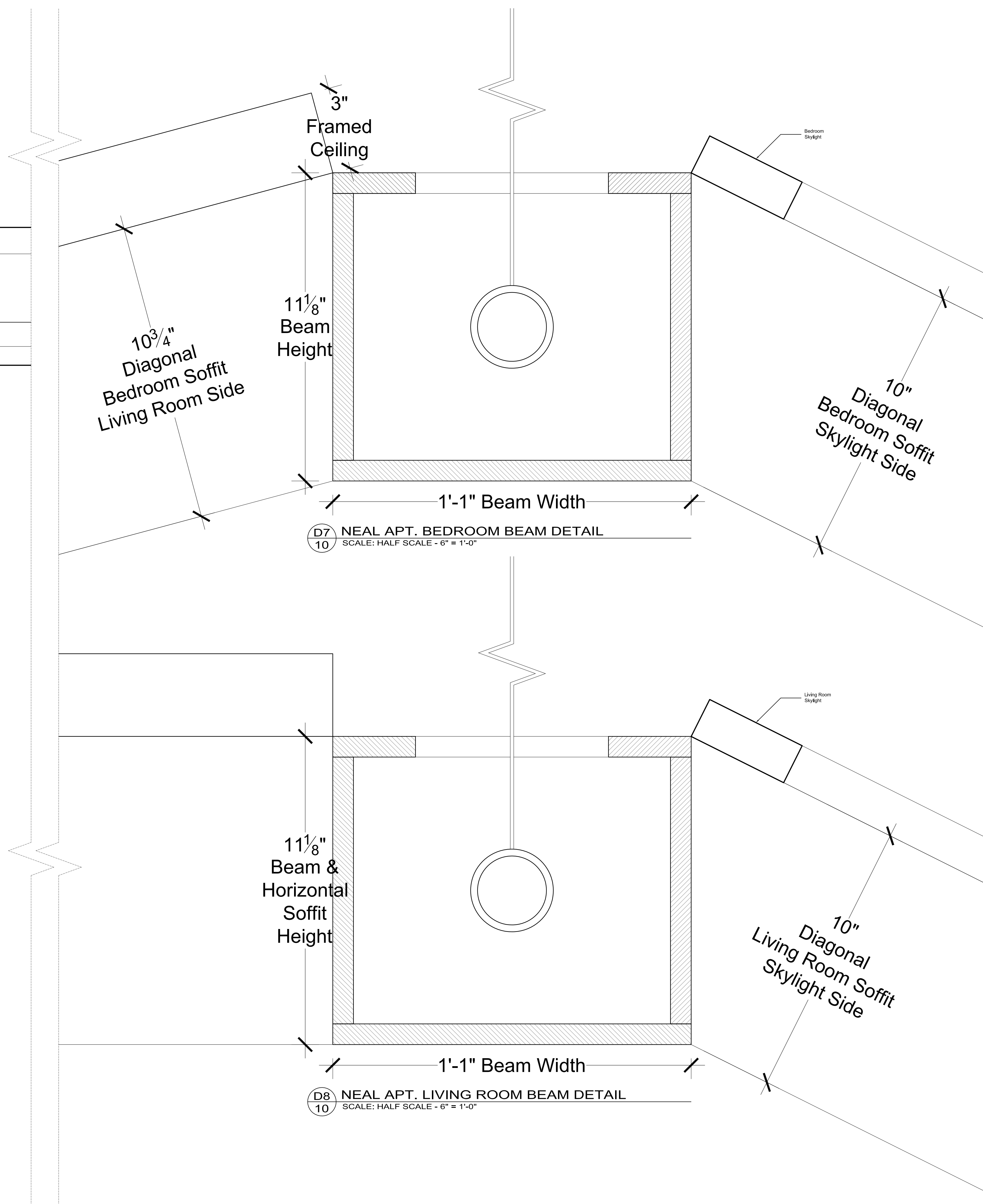
D4 NEAL APT. BASEBOARD
SCALE: FULL SCALE



D5 NEAL APT. CEILING "S4" ROOF HATCH CASING
SCALE: FULL SCALE

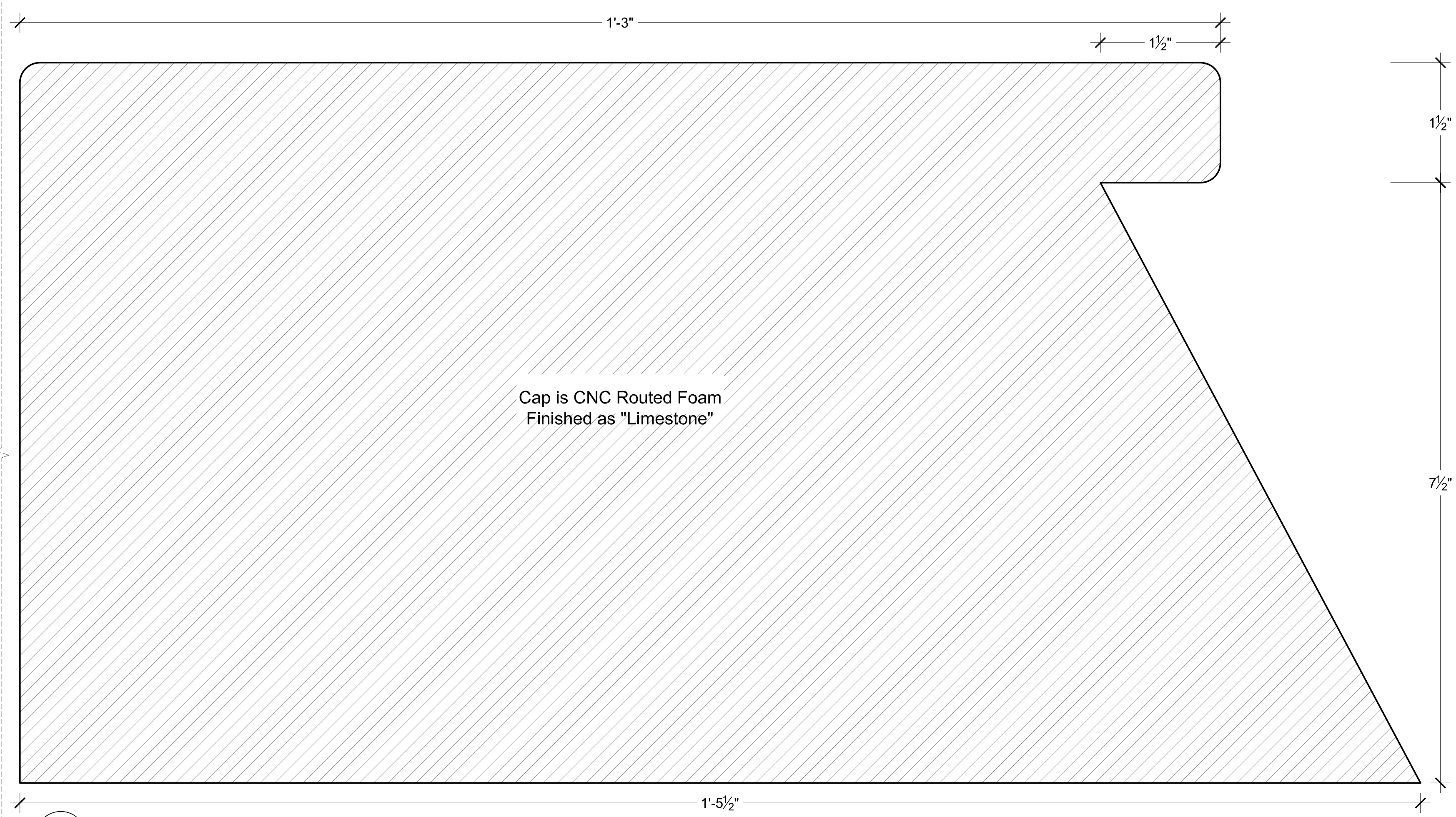
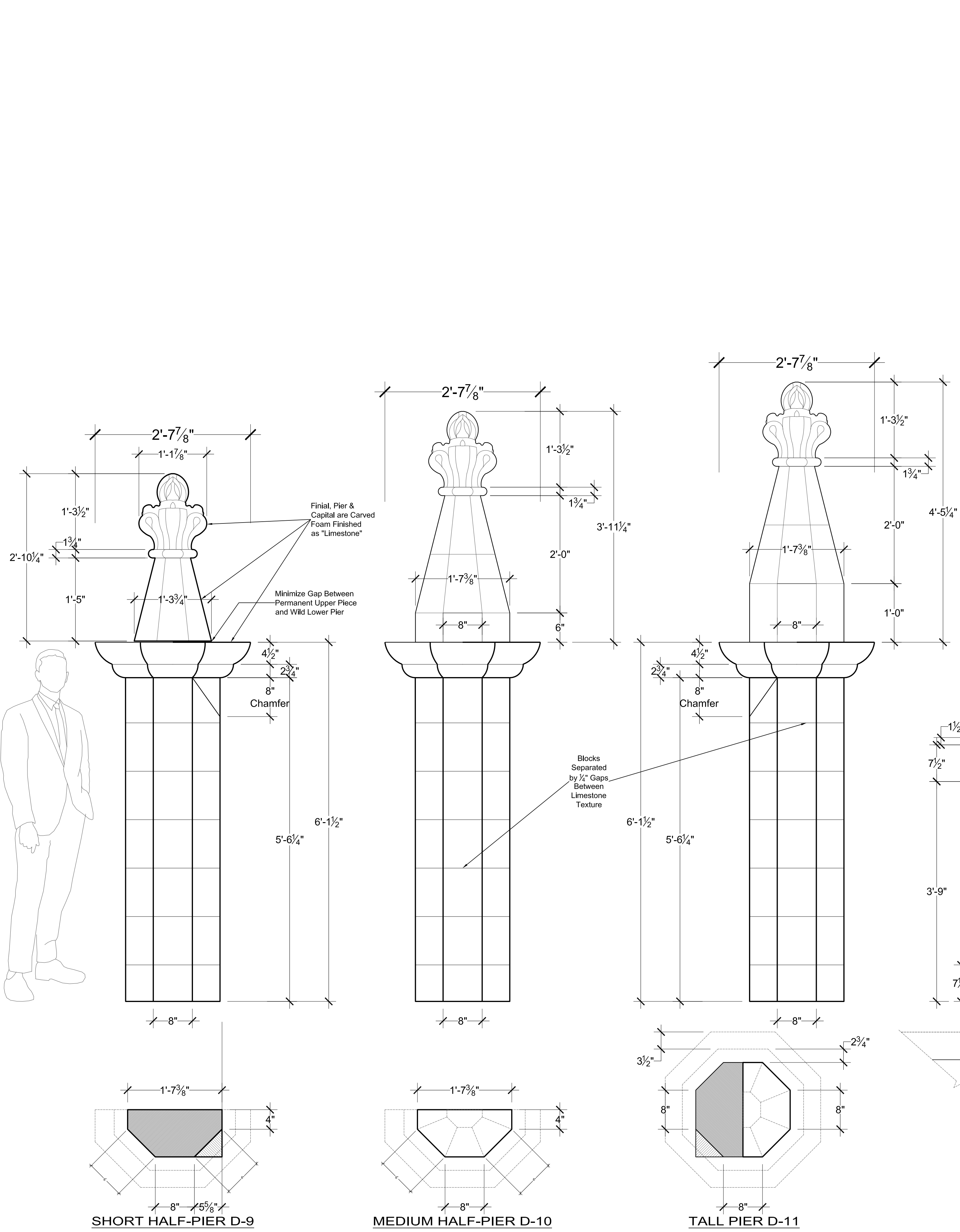


D6 NEAL APT. ENTRY HALL HAND RAIL
SCALE: FULL SCALE

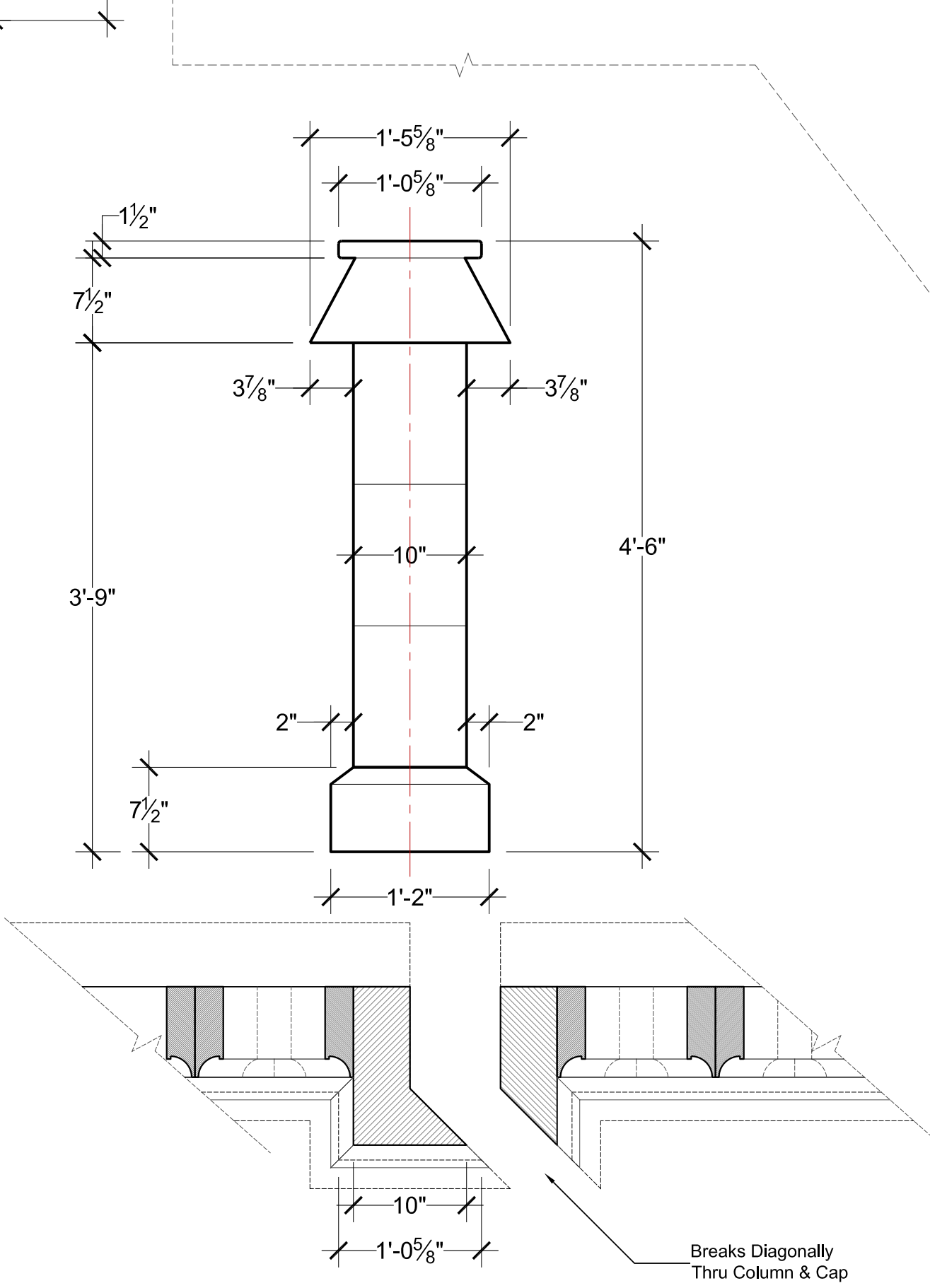


D7 NEAL APT. BEDROOM BEAM DETAIL
SCALE: HALF SCALE - 6" = 1'-0"

D8 NEAL APT. LIVING ROOM BEAM DETAIL
SCALE: HALF SCALE - 6" = 1'-0"



D13
11 NEAL APT. TERRACE - RAILING "CAP"
SCALE: FULL SCALE

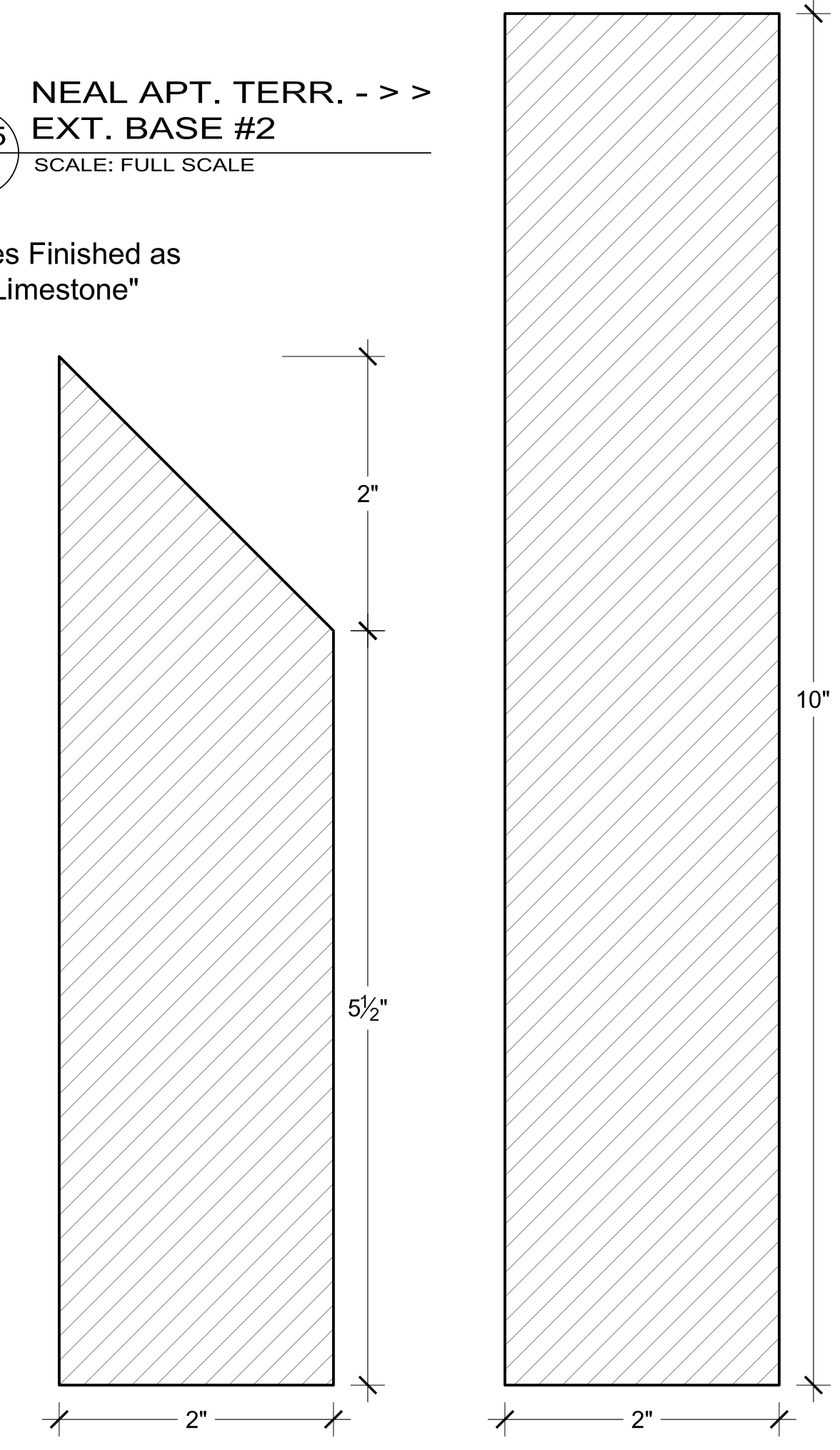


D12
RAILING PILASTER D-12

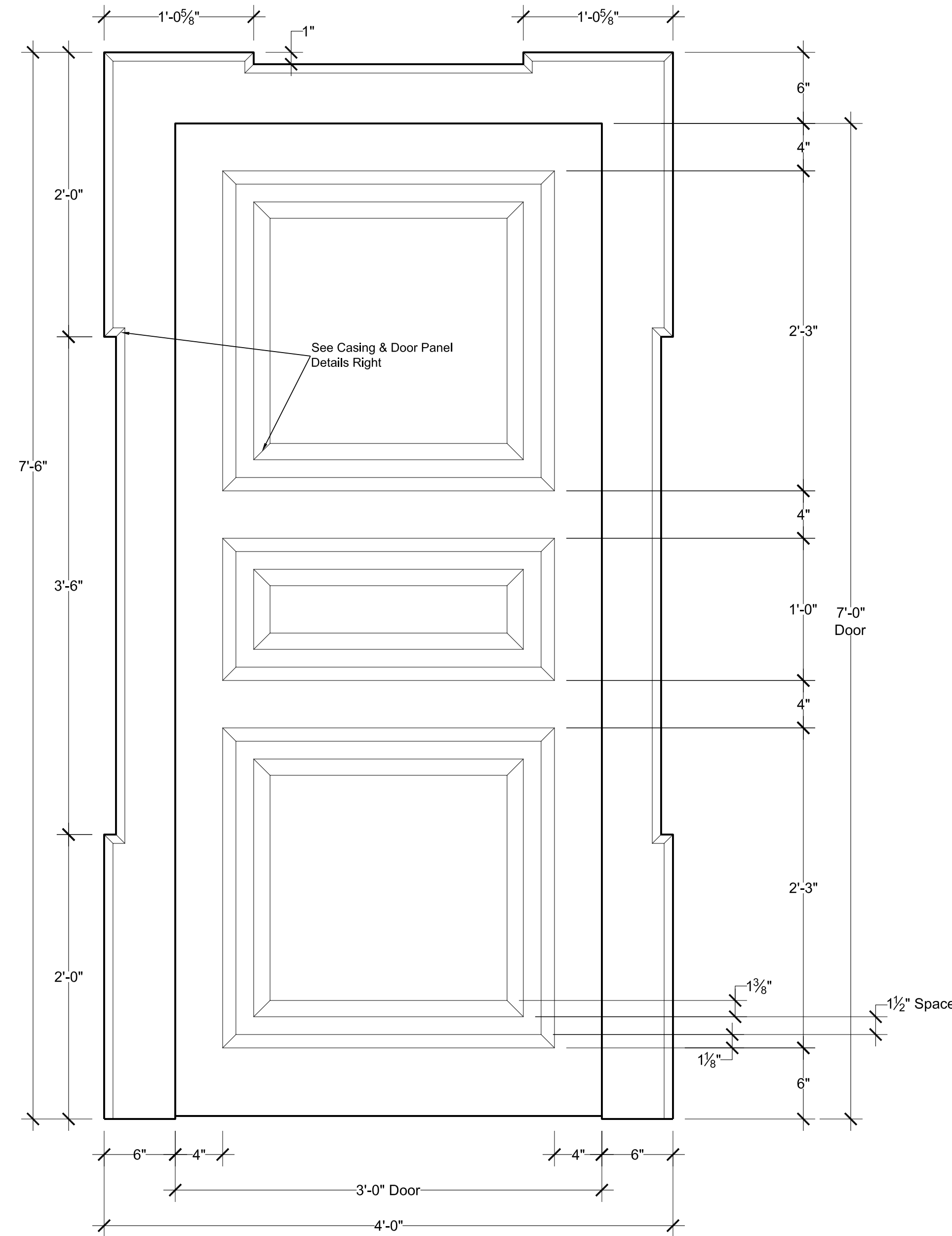
D15
11 NEAL APT. TERR. - - >>
EXT. BASE #2
SCALE: FULL SCALE

Bases Finished as "Limestone"

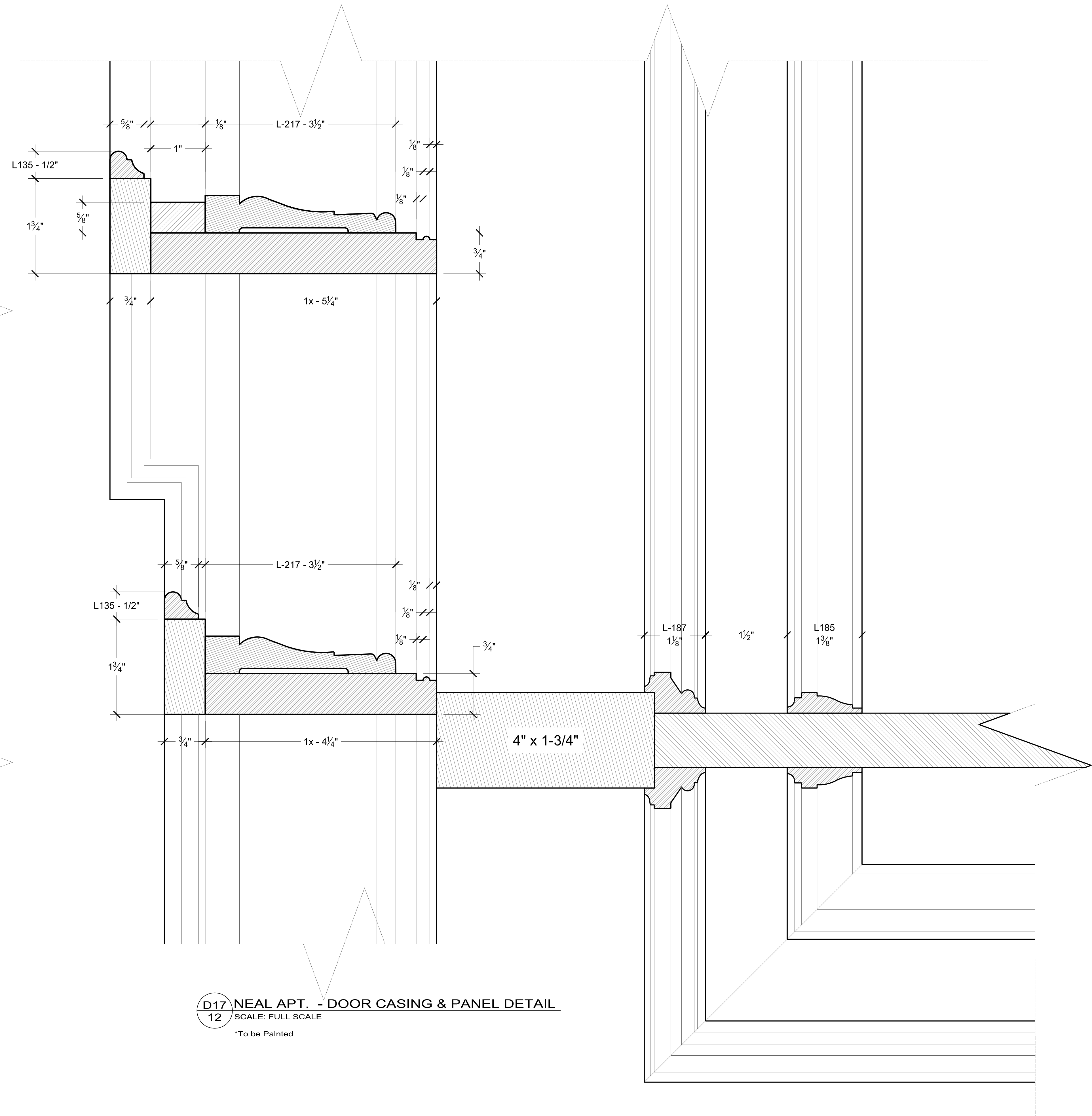
D14
11 NEAL APT. TERR. - - >>
EXT. BASE #1
SCALE: FULL SCALE



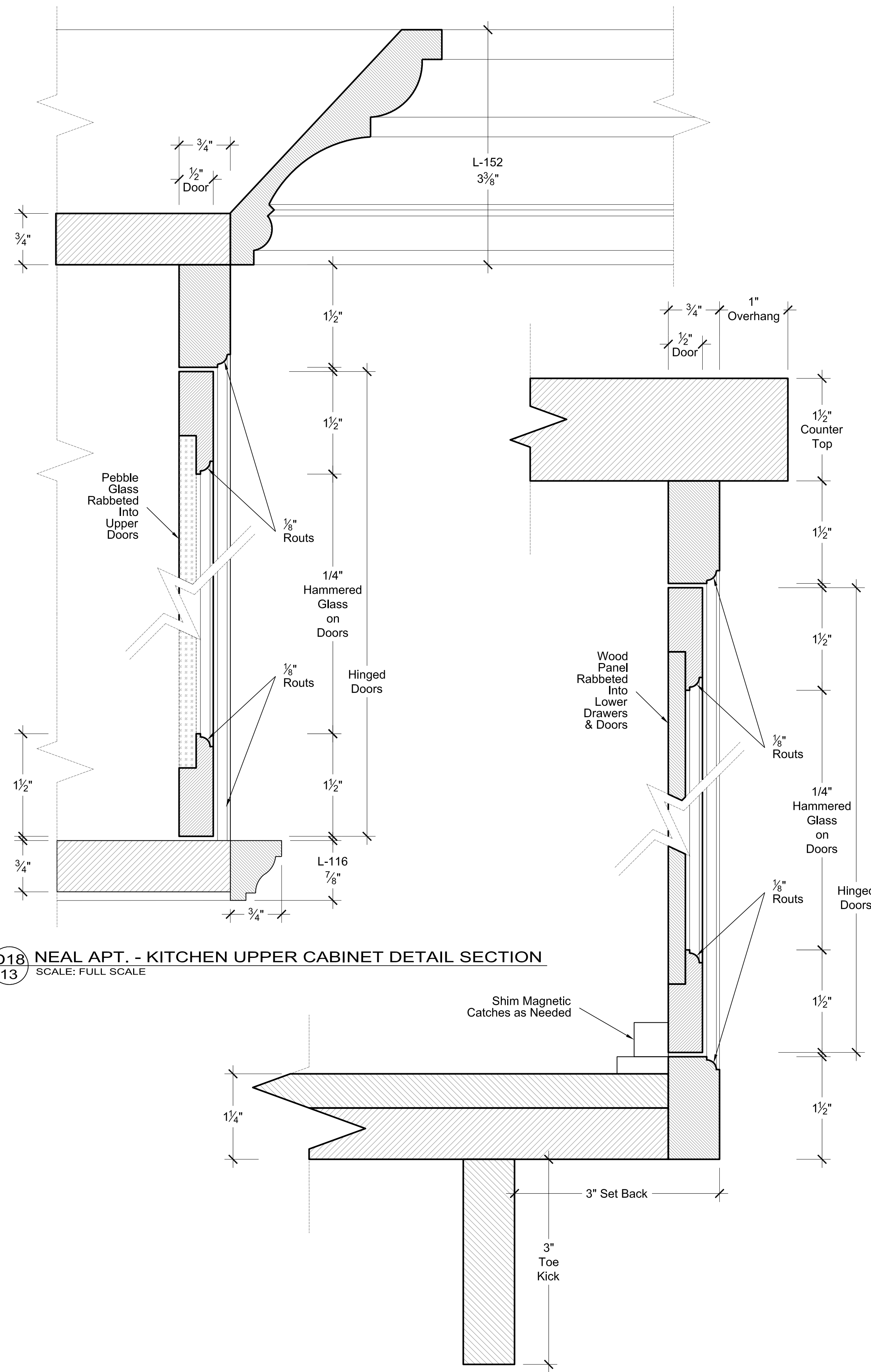
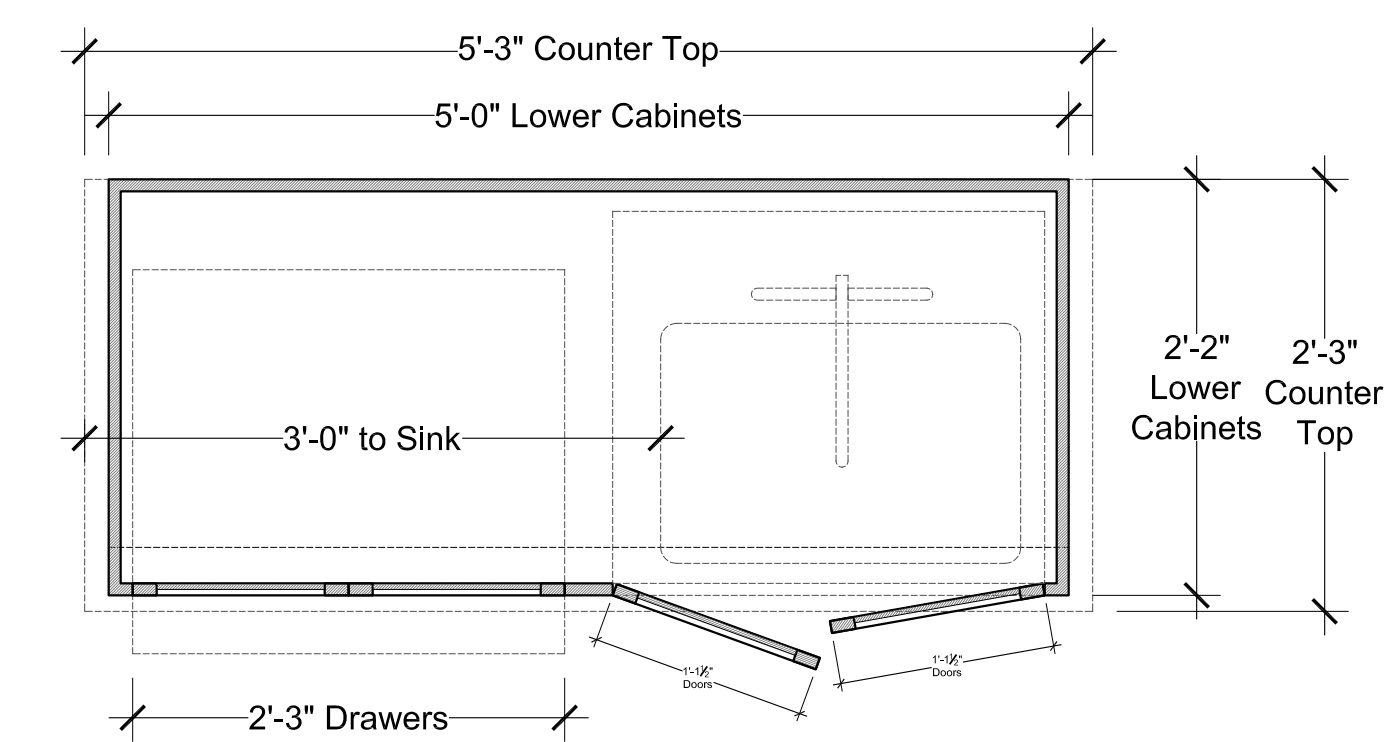
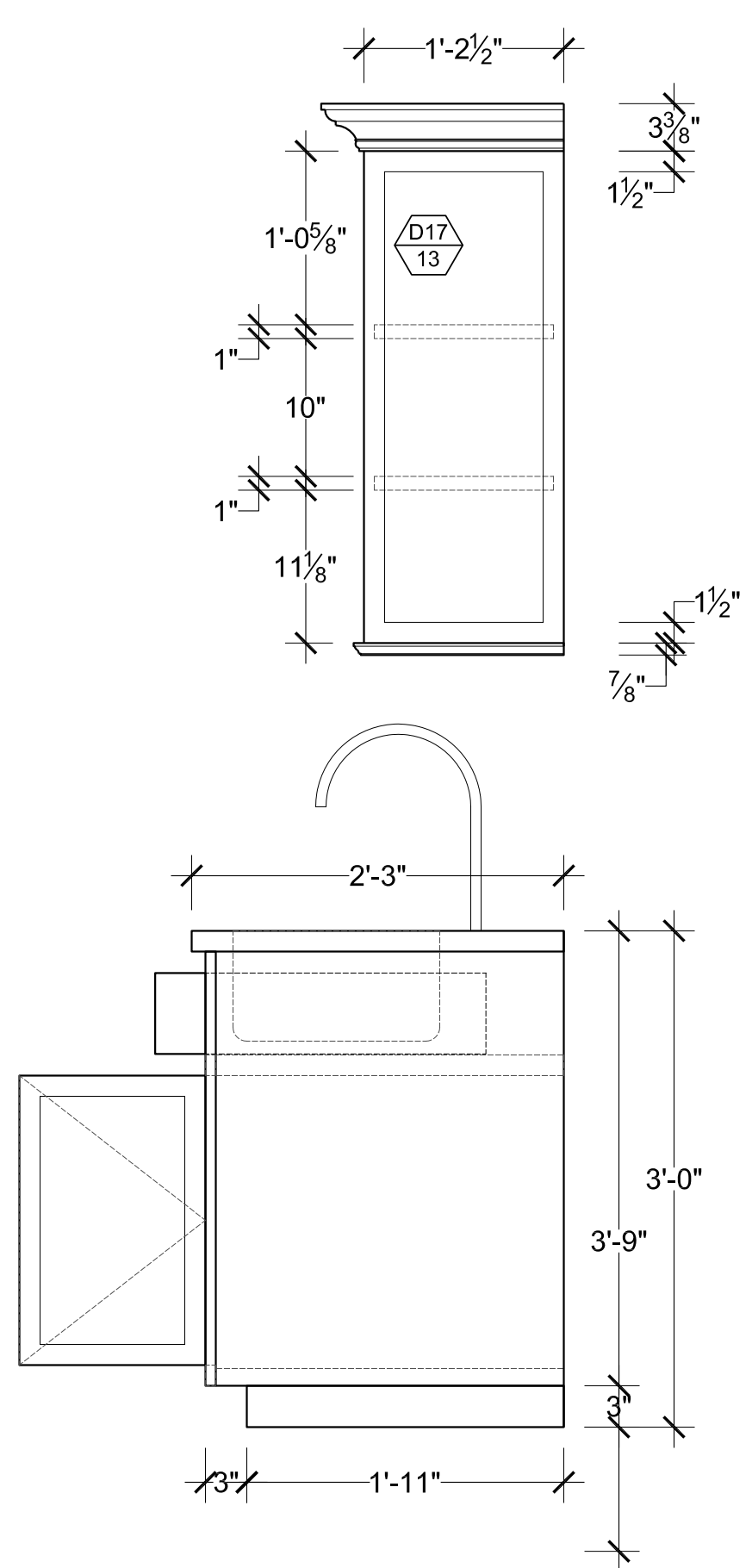
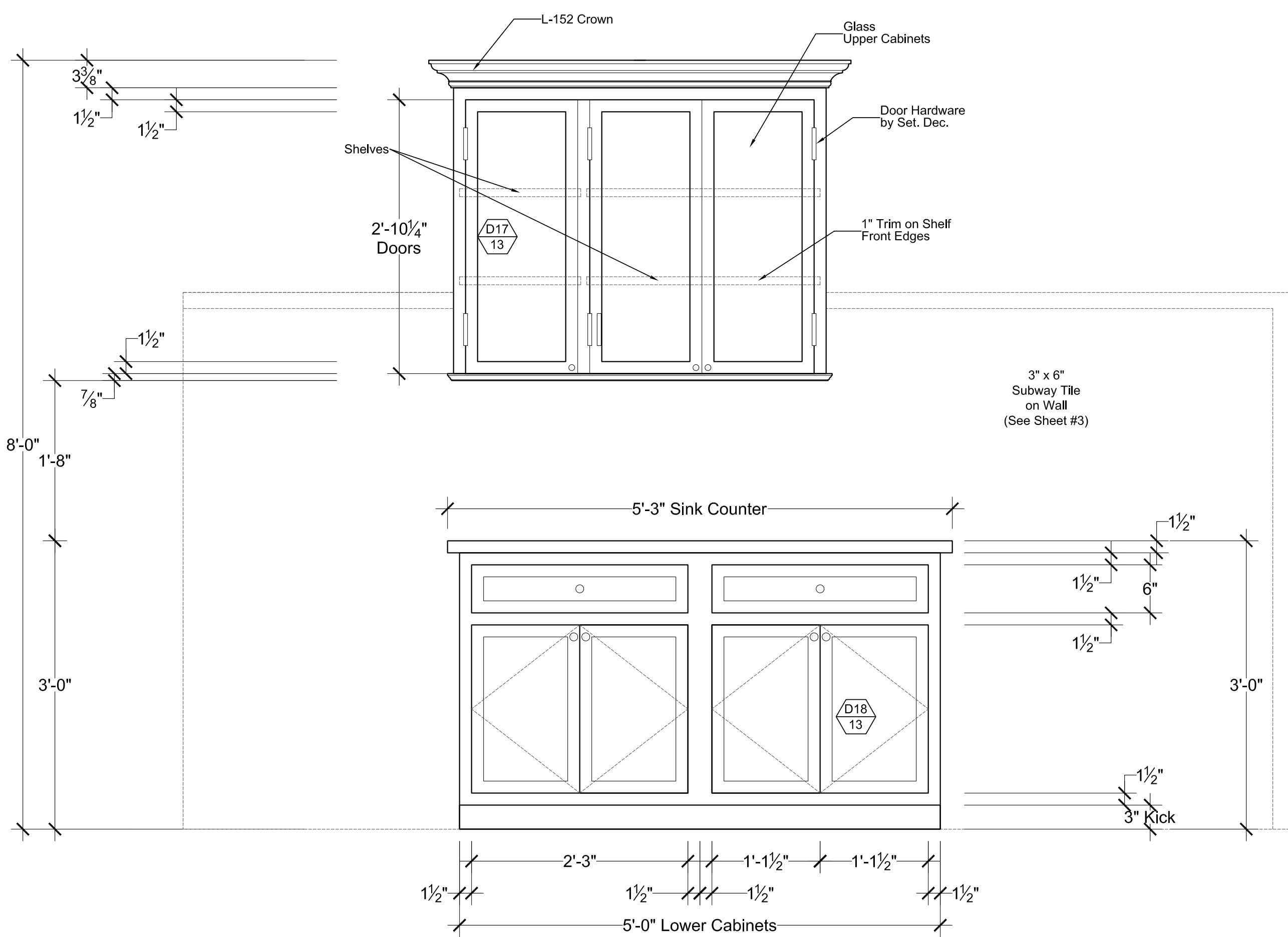
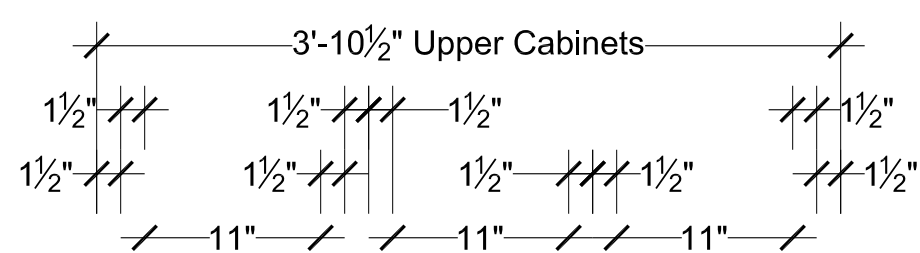
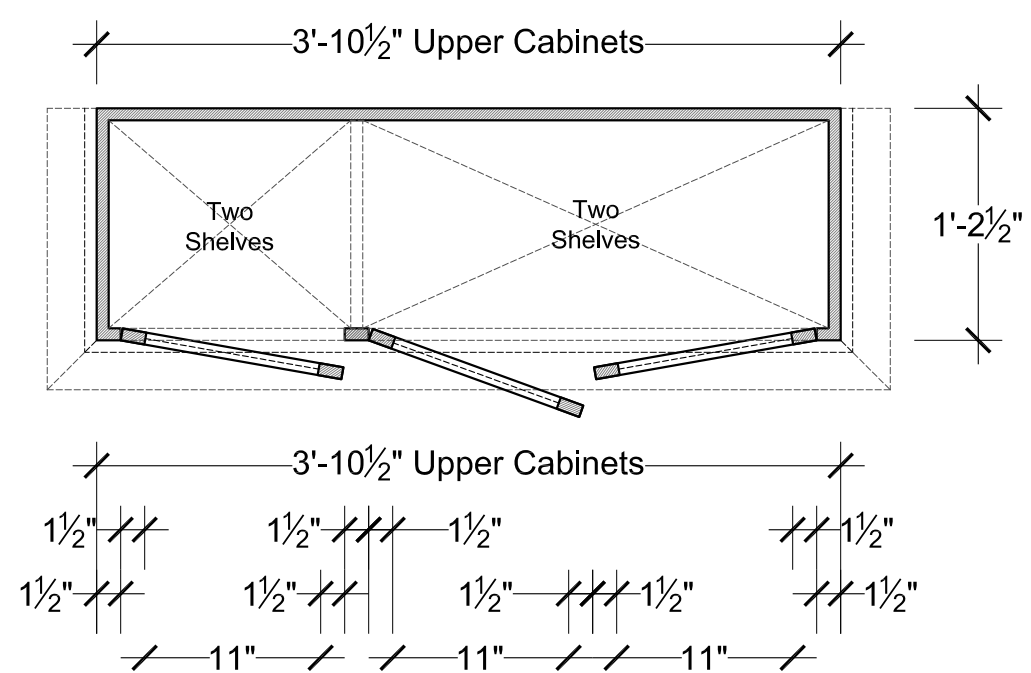
11 ROOFTOP STUDIO APARTMENT - TERRACE PIERS & FINIALS
SCALE: 1" = 1'-0"



D16 NEAL APT. - BATH, ENTRY, HALL DOORS & CASING
 12 SCALE: 1 1/2" = 1'-0"
 * All to be Painted



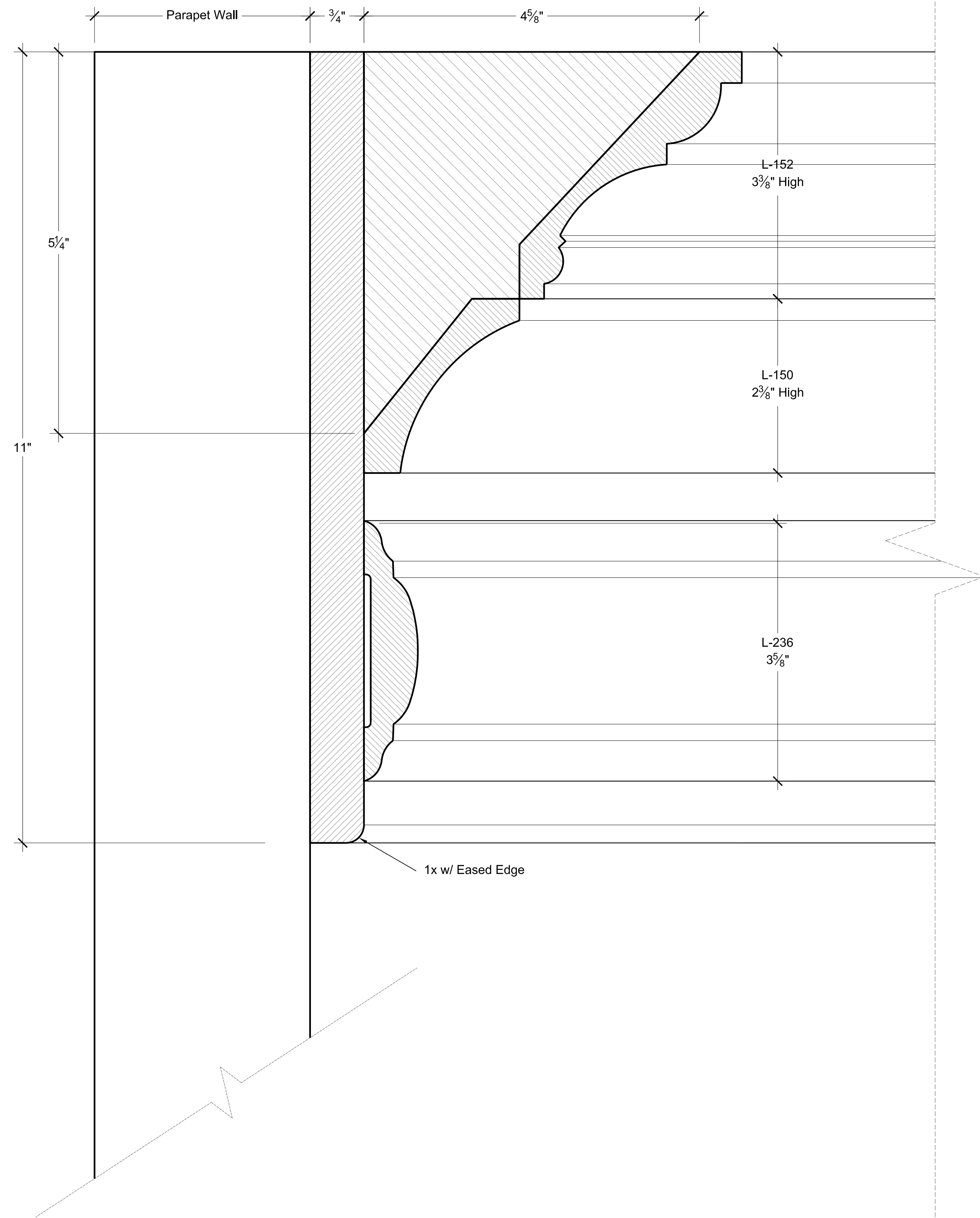
D17 NEAL APT. - DOOR CASING & PANEL DETAIL
 12 SCALE: FULL SCALE
 *To be Painted



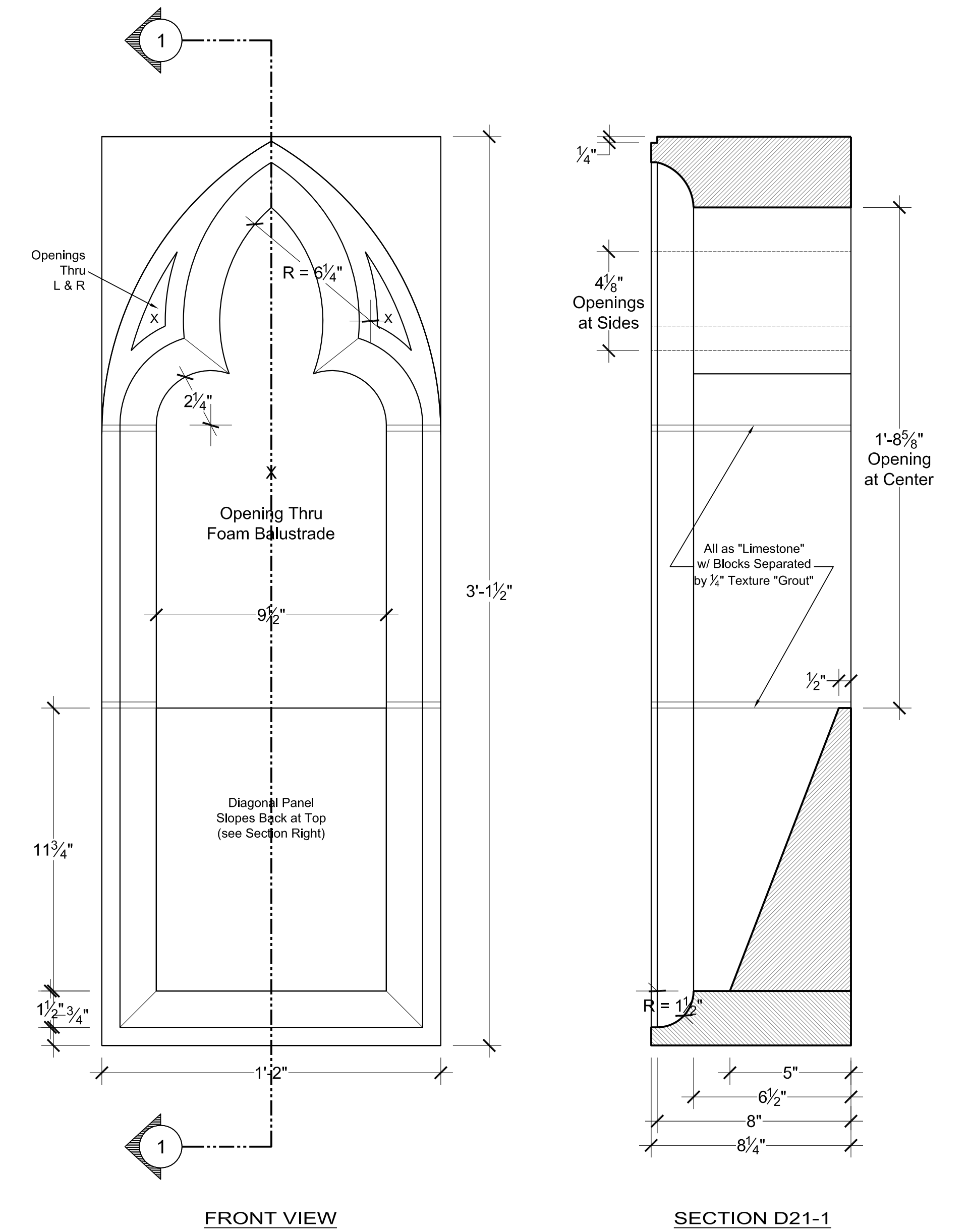
D18 NEAL APT. - KITCHEN UPPER CABINET DETAIL SECTION
SCALE: FULL SCALE

D19 NEAL APT. - KITCHEN LOWER CABINET DETAIL SECTION
SCALE: FULL SCALE

AA 13 NEAL'S KITCHEN - UPPER & LOWER CABINET UNITS
SCALE: 1" = 1'-0"



D20 NEAL APT. TERRACE - PARAPET CROWN DETAIL
14 SCALE: FULL SCALE



D21 NEAL APT. - TERRACE GOTHIC BALUSTRADE MODULE
14 SCALE: 3" = 1'-0"

* All Balustrade Modules are CNC Routed Foam to be Finished as "Limestone" on Face and Interior Edges

PROVIDE TWENTY (20) IDENTICAL BALUSTRADE MODULES